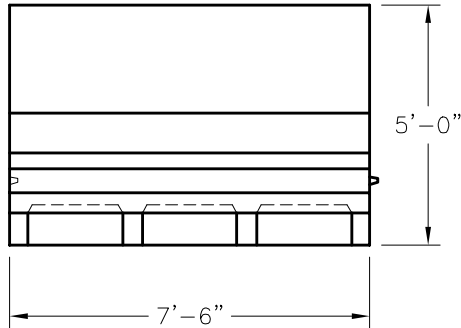
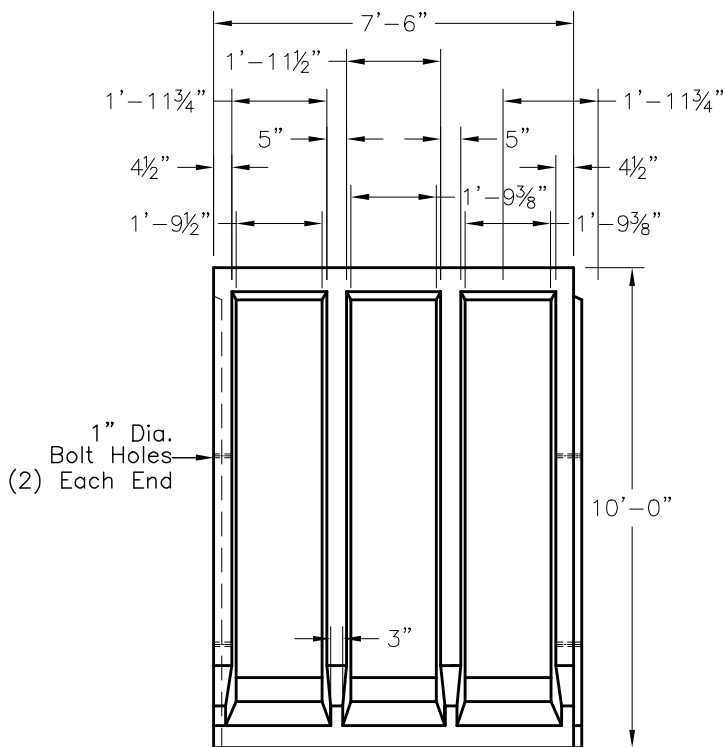


GENERAL NOTES:

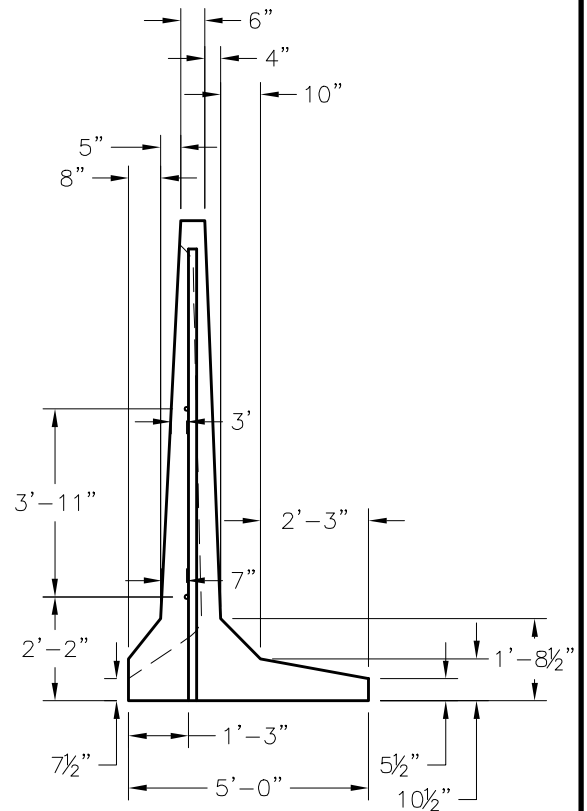
1. Concrete: 28 Day Compressive Strength $f'_c = 5,000$ psi. Type III.
2. Rebar: Grade 60 Per ASTM A615. $1\frac{1}{2}$ " Coverage Over-all.
3. Security Wall Pieces to be Bolted Together with $\frac{1}{2}$ " x -13 Unc Hex Head Cap Screws x 12" LG (Grade 2) with 5" of Thread and (2) $\frac{1}{2}$ " Dia. Flat Large OD Washers Supplied by Chase Precast.
4. No Bolt Connections on Mitered Ends.



PLAN VIEW



FRONT ELEVATION



SIDE ELEVATION



SBW-10

FILE NAME: 325MSBW10_DET.DWG

ISSUE DATE: January, 2008

www.oldcastleprecast.com

10'-0" x 7'-6"
Security Blast Wall
9,500 Lbs.

Copyright © 2008 **Oldcastle Precast**