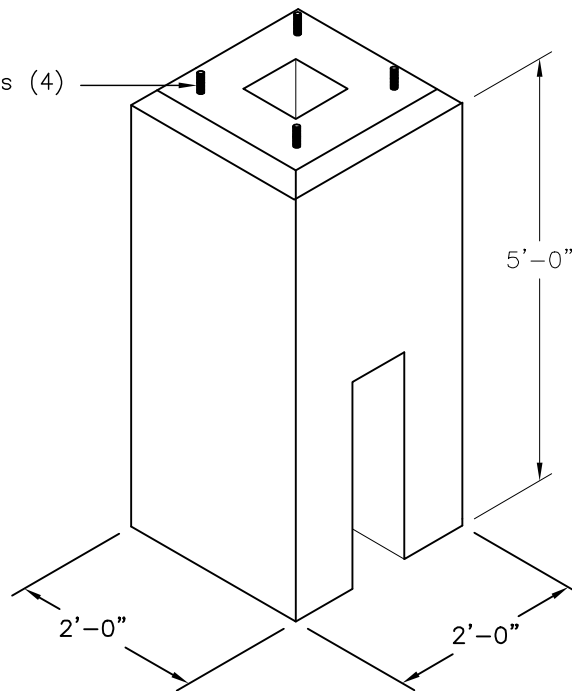


1" x 48" Lg. Anchor Bolts (4)



**LPB2424**

FILE NAME: 325UEFLB24X24\_ISO.DWG

ISSUE DATE: January, 2008

[www.oldcastleprecast.com](http://www.oldcastleprecast.com)

**2'-0" x 2'-0" x 5'-0"**  
**Light Pole Base**  
**NGRID**  
**750 Lbs.**

Copyright © 2008 **Oldcastle** Precast