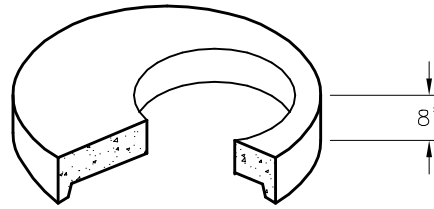
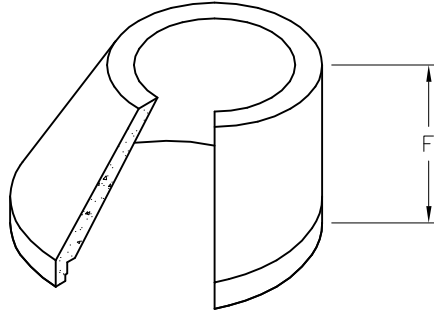


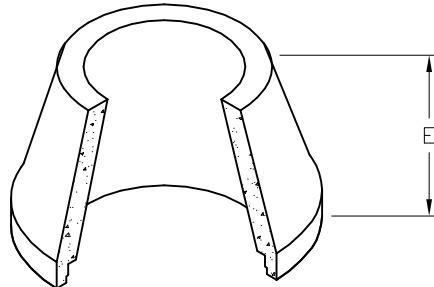
Top Slab T/G
 (Available in 4',5'&6' Dia.)



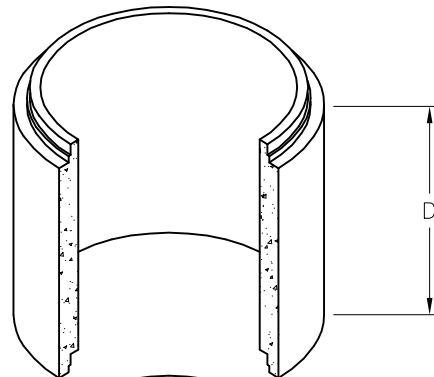
Eccentric Cone
 (Available in 4' Dia. Only)



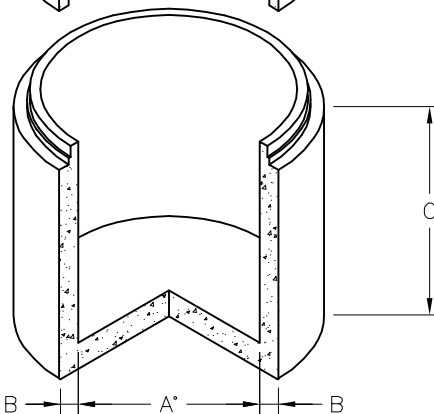
Concentric Cone
 (Available in 4' Dia. Only)



Riser
 (Available in 4',5'&6' Dia.)



Base
 (Available in 4',5'&6' Dia.)



DIMENSION CHART

DIA.	A	B	C	D	E	F
4	4'-0"	0'-6"				
5	5'-0"	0'-6"				
6	6'-0"	0'-6"				



Oldcastle Precast[®]

DMH-CHART

FILE NAME: 325EMMDMH-CHART_ISO.DWG

ISSUE DATE: January, 2008

www.oldcastleprecast.com

Typical Drainage Manhole Components Sizing Chart

Copyright © 2008 **Oldcastle Precast**[®]