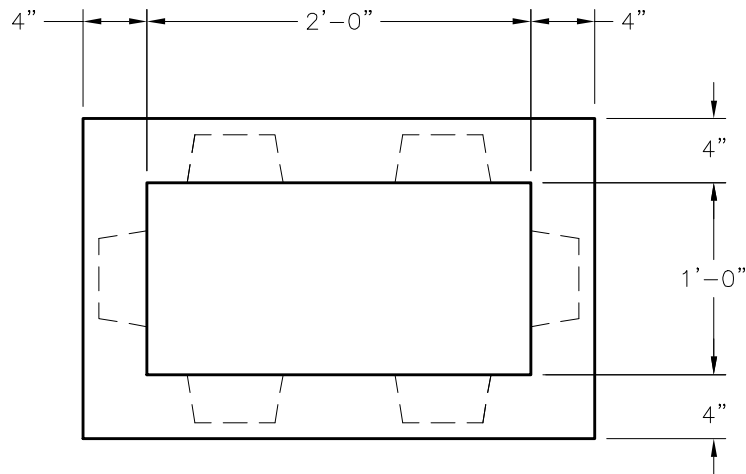


GENERAL NOTES:

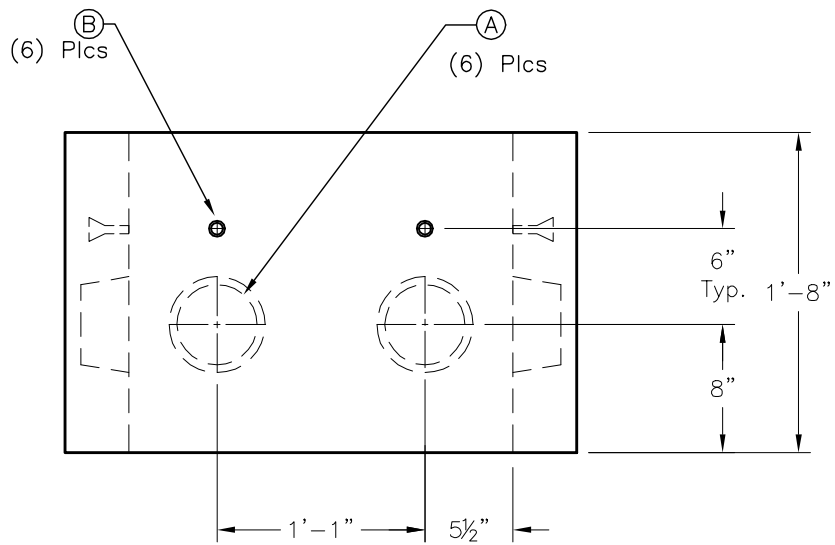
1. Concrete: 28 Day Compressive Strength $f'_c = 5,000$ psi. Type III.
2. Rebar: Grade 60 Per ASTM A615.
3. General Contractor to Verify all Openings Sizes and Locations.



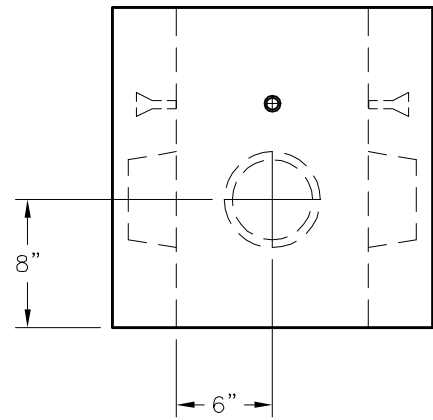
PLAN VIEW

DATA CHART

LTR	QTY	Description
(A)	6	5" ϕ Knockout
(B)	6	3/4" Threaded Insert



SIDE ELEVATION



END ELEVATION



HH 122420-BS

FILE NAME: 325UEHHH122420BS_DET.DWG

ISSUE DATE: January, 2008

www.oldcastleprecast.com

**1'-0" x 2'-0" x 1-8" I.D.
Handhole
Boston Standard
600 Lbs.**

Copyright © 2008 **Oldcastle Precast**