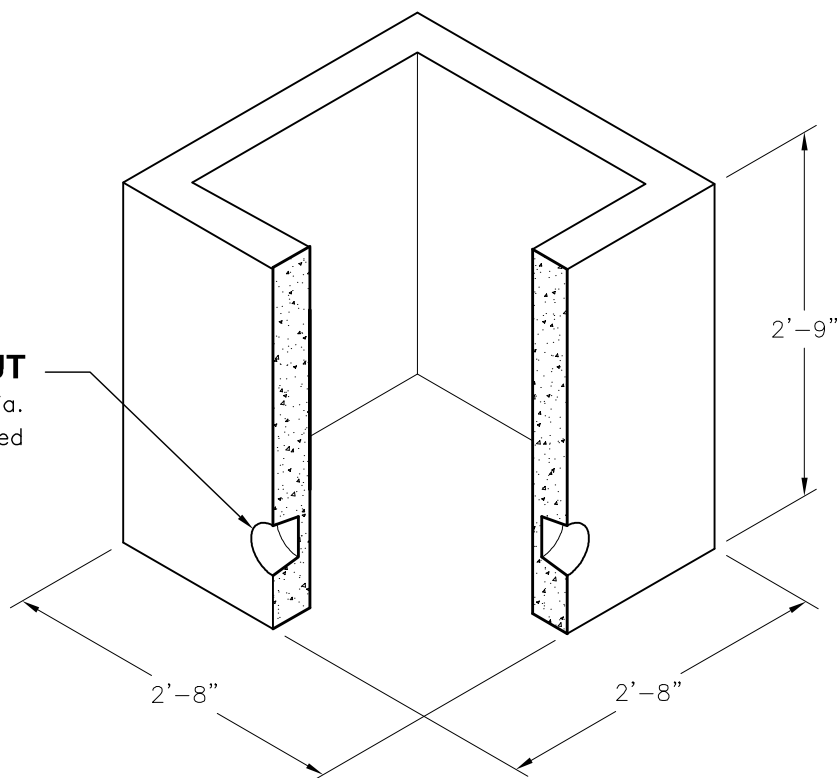


**KNOCKOUT**  
4" Dia.  
(4) Required



**HH2424-4**

FILE NAME: 325UEHH2424-4\_ISO.DWG

ISSUE DATE: January, 2008

[www.oldcastleprecast.com](http://www.oldcastleprecast.com)

**2'-0" x 2'-0" x 2'-9" I.D.  
Handhole  
1,300 Lbs.**

Copyright © 2008 **Oldcastle Precast**<sup>®</sup>