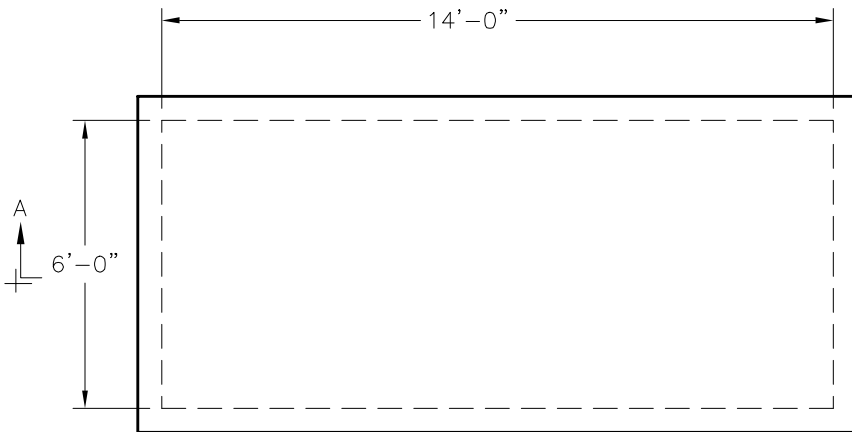
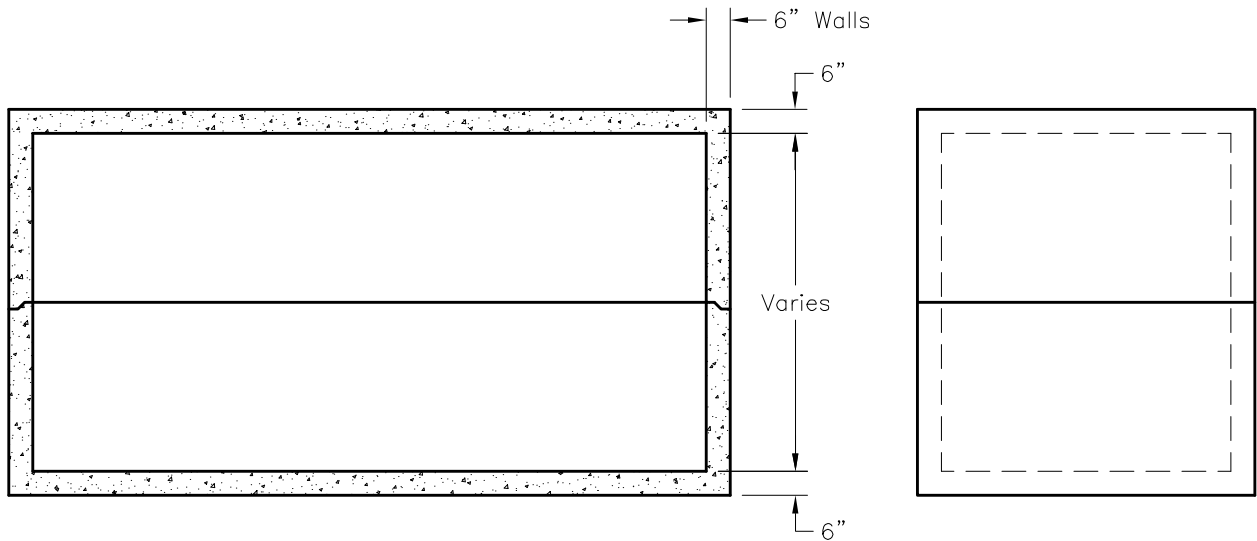


**NOTES:**

1. Concrete : 5,000 P.S.I  
Minimum Strength @ 28 Days
2. Steel Reinforcing– ASTM A-615,  
Grade 60.
3. Cover to Steel–1" Minimum
4. Vault are Designed to Meet ASTM  
C858 and ACI 318 with Aashto  
HS-20 Loading
5. Earth Cover –0 to 5 Feet Max.  
Minimum
6. Construction Joint–Sealed with  
1" Dia Butyl Rubber or Equivalent
7. Wall Thickness Available in 6"



**PLAN VIEW**



**SECTION A-A**

**END VIEW**



**MH6X14**

FILE NAME: 324UCPMH6X14\_DET.DWG

ISSUE DATE: January, 2008

[www.oldcastleprecast.com](http://www.oldcastleprecast.com)

**6'-0" x 14'-0" x Variable I.D.  
Utility Vault**

Copyright ©2008 **Oldcastle Precast**