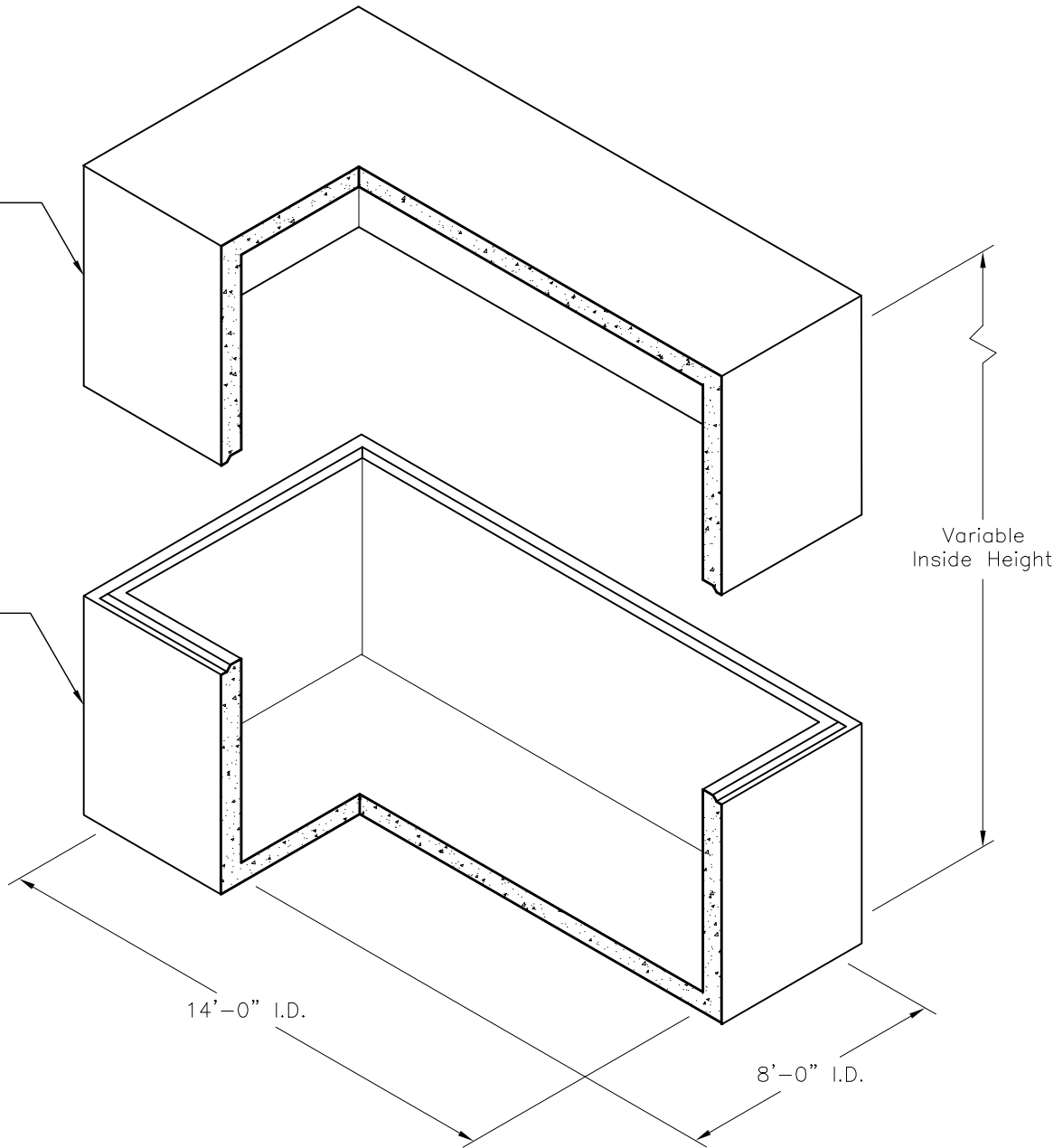


**TOP**  
WT. Variable

**BOTTOM**  
WT. Variable



NOTE  
Inside Height as Specified  
Inside Roof, Floor and Side Wall Openings as Specified  
Maximum inside Height for 2 Piece Manhole 10'-0"  
Maximum inside Height of Each Additional Piece 5'-0"



**Oldcastle Precast**<sup>®</sup>

**MH8X14**

FILE NAME: 324UCPMH8X14\_ISO.DWG

ISSUE DATE: January, 2008

[www.oldcastleprecast.com](http://www.oldcastleprecast.com)

**8'-0" x 14'-0" x Variable I.D.  
Utility Vault**

Copyright © 2008 **Oldcastle Precast**<sup>®</sup>