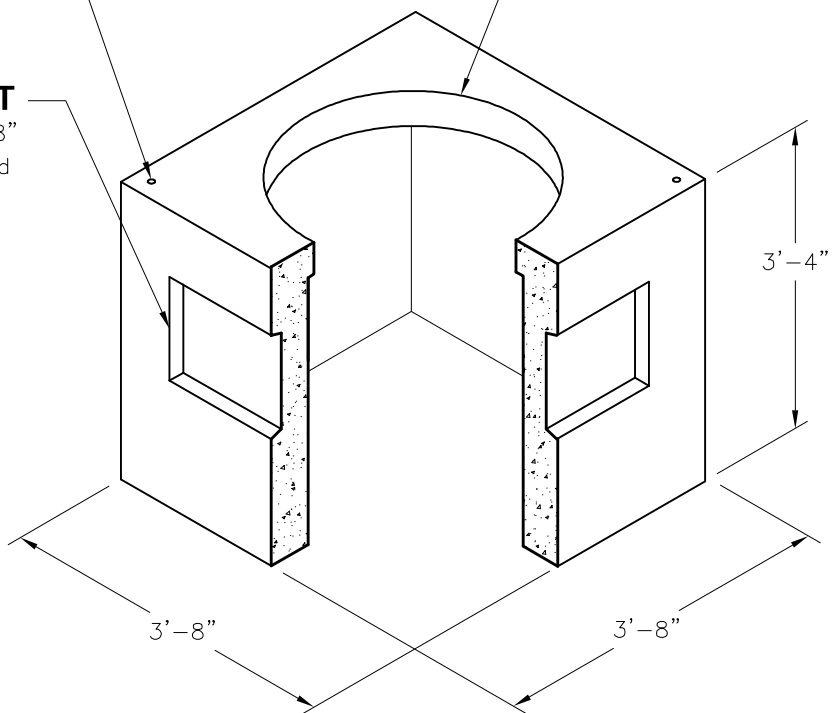


LIFTING INSERT
(4) Required

KNOCKOUT
12" x 18"
(4) Required

ACCESS HOLE
30" Dia.



Oldcastle Precast[®]

HH3636

FILE NAME: 325UEHH3636_ISO.DWG

ISSUE DATE: January, 2008

www.oldcastleprecast.com

**3'-0" x 3'-0" x 3'-0" I.D.
Handhole
2,400 Lbs.**

Copyright © 2008 **Oldcastle Precast**[®]