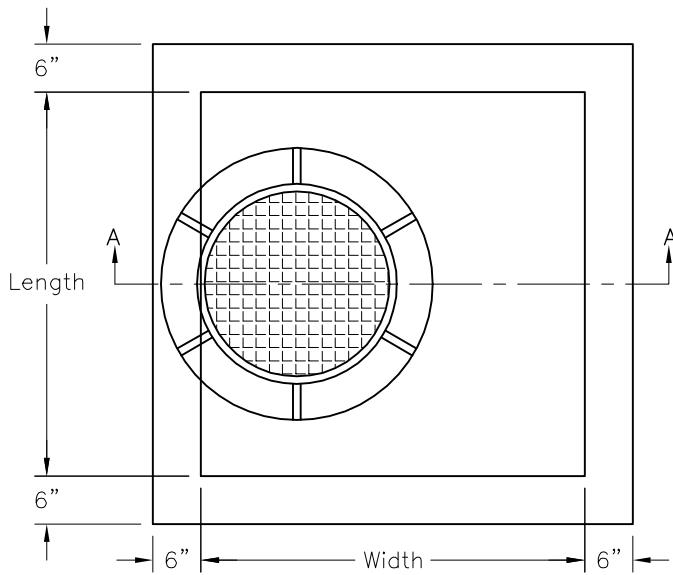


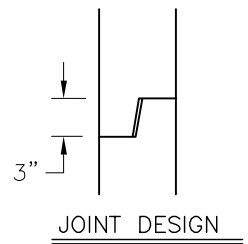
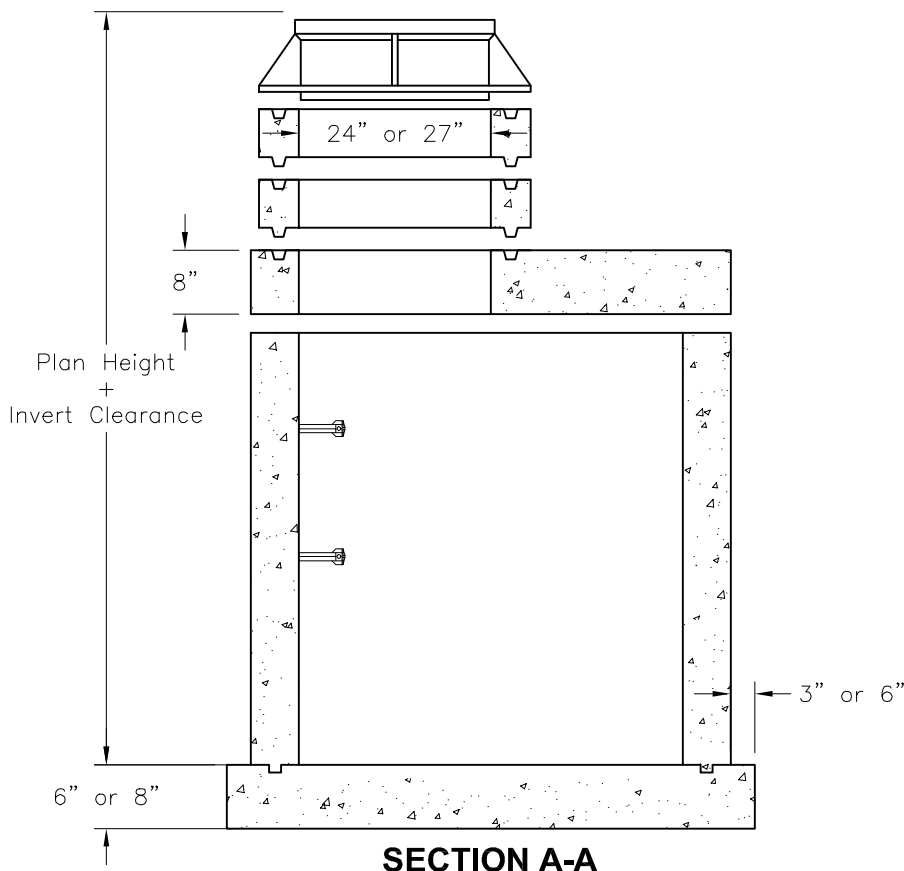
GENERAL NOTES:

1. Concrete: 4,000 P.S.I.  
Minimum Strength @ 28 Days.
2. Steel Reinforcement: ASTM A-615,  
Grade 60. W4 Wire ASTM A82.
3. Construction Joint Sealed with  
1" Dia. Butyl Rubber or Equivalent.
4. All Pipes Enter Through the Vertical  
Centerline of the Wall Surface.
5. 3" Clearance Around All Pipes.
6. Manholes Furnished with or without  
Precast Base.
7. Standard Sizes in 1'-0" Increments.



**PLAN VIEW**

Base Extension Not Shown for Clarity



JOINT DESIGN  
If More Than  
One Riser  
Section



5230 N.W. 17th Street, Topeka, KS 66618  
Phone: 785.232.2982 Fax: 785.232.5842

**JUNCTIONBOX**

FILE NAME: 120DIJJUNCTIONBOX\_DET

ISSUE DATE: January 2007

[www.vanguardprecast.com](http://www.vanguardprecast.com)

**Rectangular Junction Box  
with Precast Base**

Copyright © 2007 Oldcastle Precast