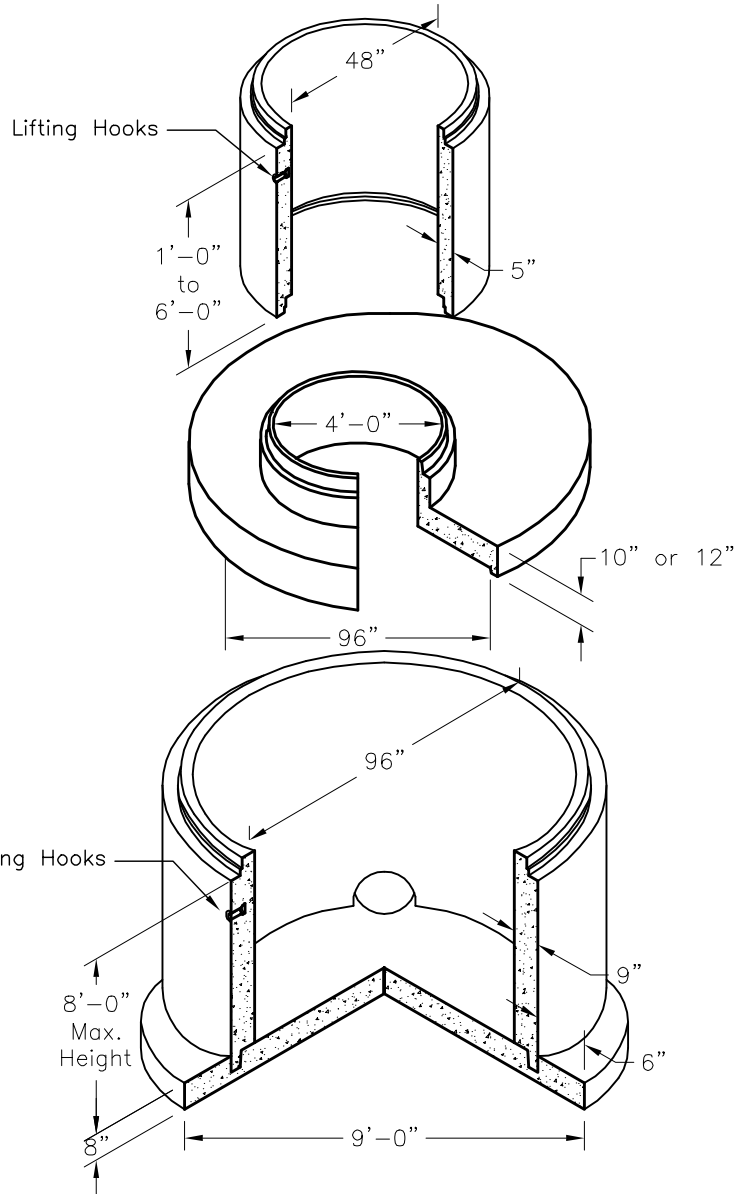


**48" Riser Sections**

Continue on with  
48" Manhole Options



**Reducing Flat Top**

Handling Hooks Provided  
96" ID to 48" ID

**Base Riser  
w/Integral Base Slab**

Field Cast Invert



**Oldcastle Precast®  
Vanguard**

5230 N.W. 17th Street, Topeka, KS 66618  
Phone: 785.232.2982 Fax: 785.232.5842

**96MHERS9648**

FILE NAME: 120DMM96MHERS9648\_ISD

ISSUE DATE: January 2007

[www.vanguardprecast.com](http://www.vanguardprecast.com)

**Standard 96" ID Manhole  
96" to 48"  
Eccentric Reducing Slab**

Copyright © 2007 Oldcastle Precast