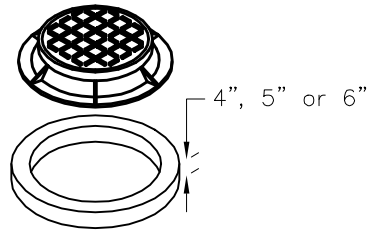


Ring and Cover

As Specified

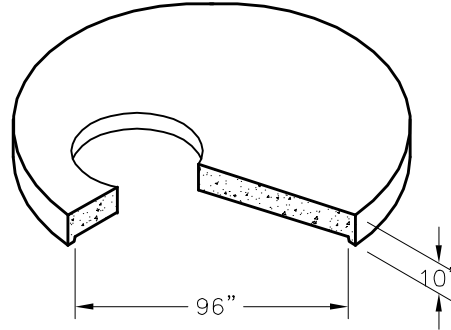
Grade Rings

24" or 27" Keyed or Blunt



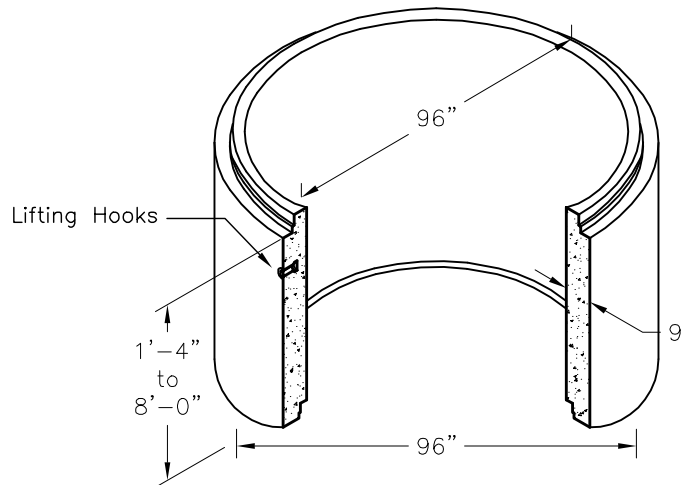
Eccentric Flat Top

Keyed or Blunt



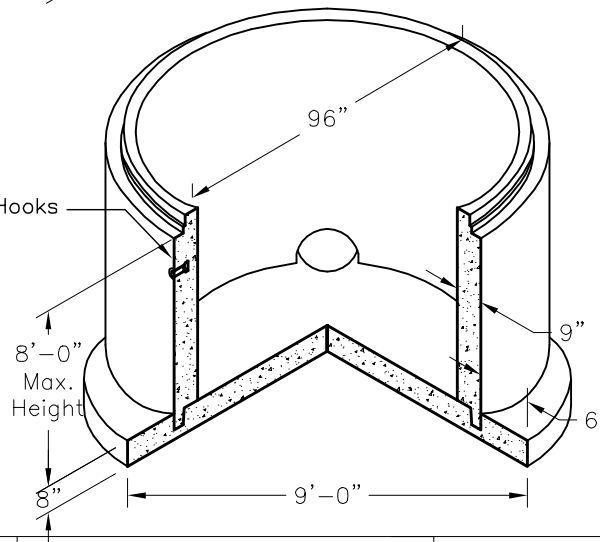
Riser Section

Standard Height:
1'-4" Multiples



Base Riser w/Integral Base Slab

Field Cast Invert



Oldcastle Precast®
Vanguard

5230 N.W. 17th Street, Topeka, KS 66618
Phone: 785.232.2982 Fax: 785.232.5842

96MHEFT

FILE NAME: 120DMM96MHEFT_ISO

ISSUE DATE: January 2007

www.vanguardprecast.com

**Standard 96" ID Manhole
Eccentric Flat Top**

Copyright © 2007 **Oldcastle Precast**