

**Ring and Cover**

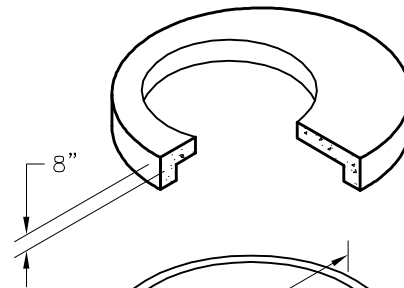
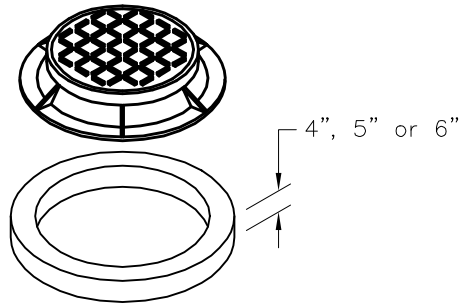
As Specified

**Grade Rings**

24" or 27" Keyed or Blunt

**Eccentric Flat Top**

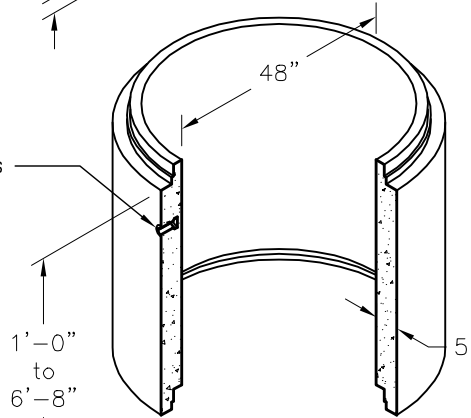
24" or 27" Keyed or Blunt



**Riser Section**

Standard Height:  
1'-4" Multiples

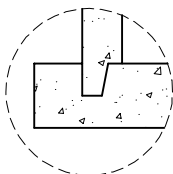
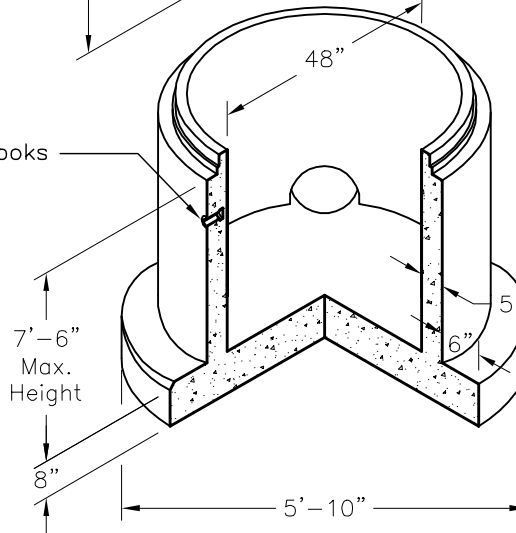
Lifting Hooks



**Base Riser  
w/Integral Base Slab**

Field Cast Invert

Lifting Hooks



**Alternate Design  
Manufactures Option**



**Oldcastle Precast®  
Vanguard**

5230 N.W. 17th Street, Topeka, KS 66618  
Phone: 785.232.2982 Fax: 785.232.5842

**48MHEFT**

FILE NAME: 120DMM48MHEFT\_ISO

ISSUE DATE: January 2007

[www.vanguardprecast.com](http://www.vanguardprecast.com)

**Standard 48" ID Manhole  
Eccentric Flat Top**

Copyright © 2007 Oldcastle Precast