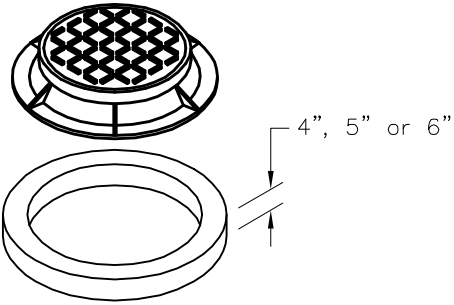


Ring and Cover

As Specified

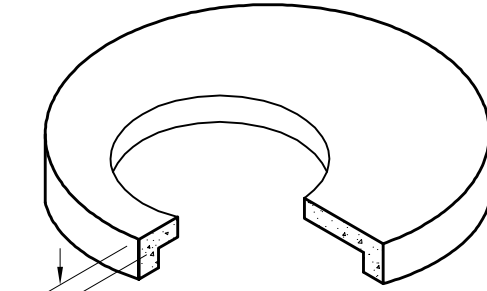


Grade Rings

24\" or 27\" Keyed or Blunt

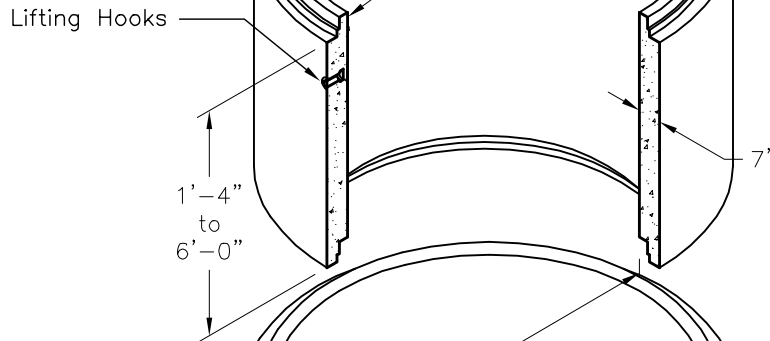
Eccentric Flat Top

Keyed or Blunt



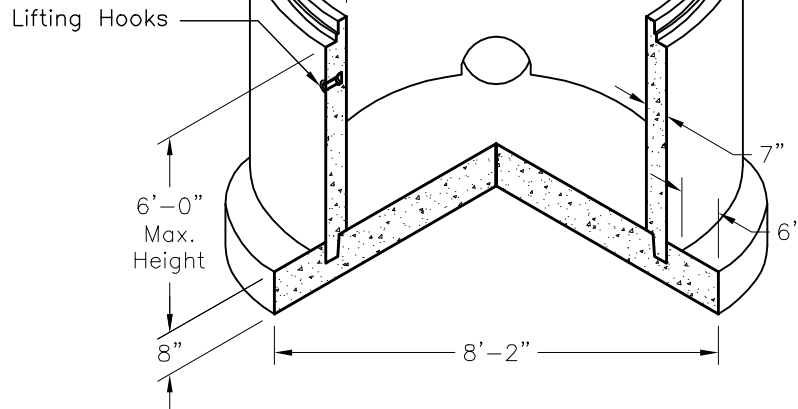
Riser Section

Standard Height:
1'-4\" Multiples



**Base Riser
w/Integral Base Slab**

Field Cast Invert



**Oldcastle Precast®
Vanguard**

5230 N.W. 17th Street, Topeka, KS 66618
Phone: 785.232.2982 Fax: 785.232.5842

72MHEFT

FILE NAME: 120DMM72MHEFT_ISO

ISSUE DATE: January 2007

www.vanguardprecast.com

**Standard 72\" ID Manhole
Eccentric Flat Top**

Copyright © 2007 Oldcastle Precast