

Ring and Cover

As Specified

Grade Rings

27" Keyed or Blunt

Eccentric Cone

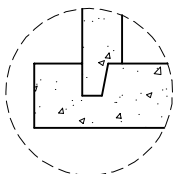
Height=1'-4"

Riser Section

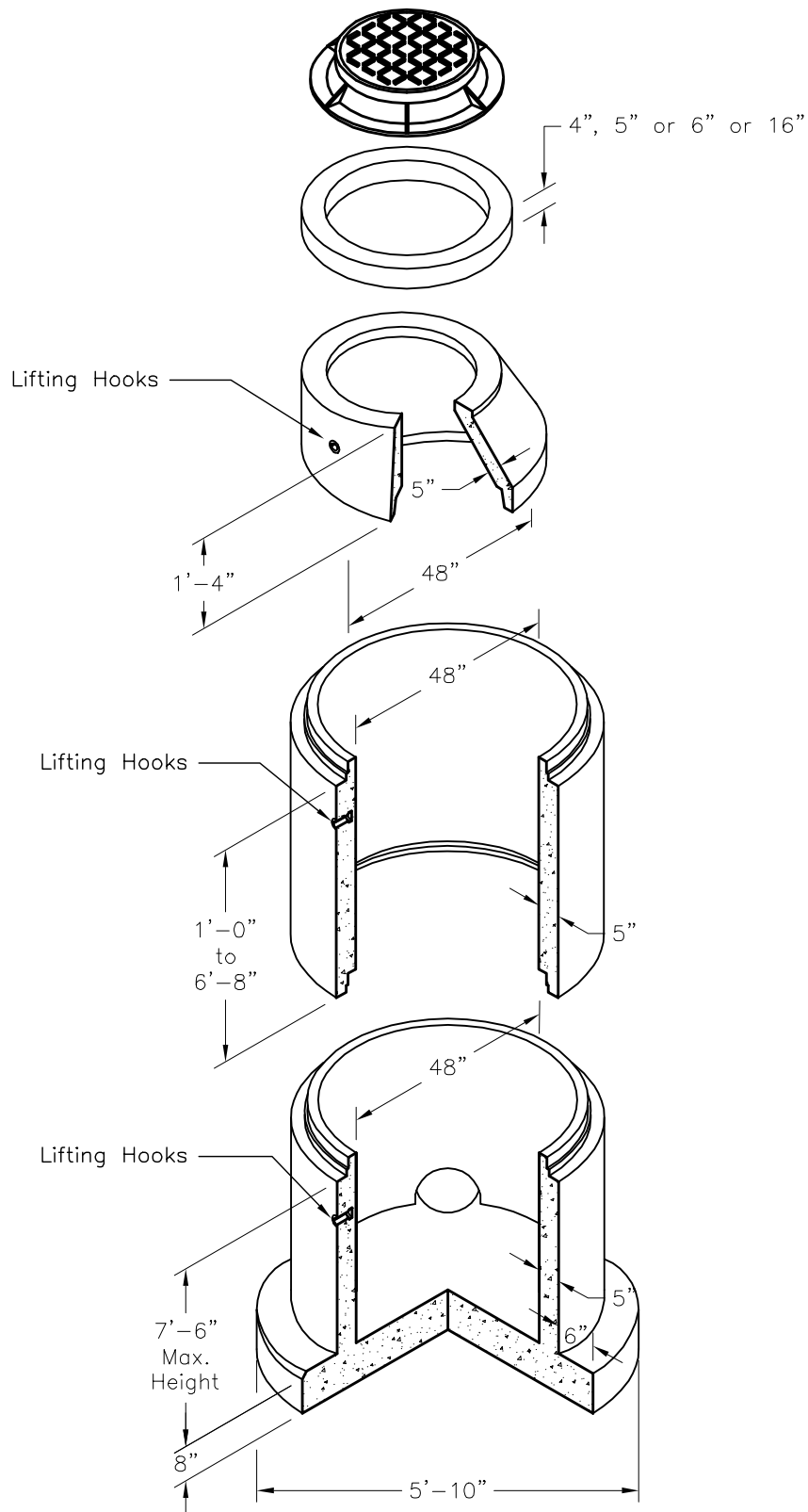
Standard Height:
1'-4" Multiples

Base Riser w/Integral Base Slab

Field Cast Invert



Alternate Design Manufactures Option



5230 N.W. 17th Street, Topeka, KS 66618
Phone: 785.232.2982 Fax: 785.232.5842

48MHEC16

FILE NAME: 120DMM48MHEC16_ISO

ISSUE DATE: January 2007

www.vanguardprecast.com

Standard 48" ID Manhole 1'-4" Eccentric Cone

Copyright © 2007 Oldcastle Precast