

Ring and Cover

As Specified

Grade Rings

24" or 27" Keyed or Blunt

Eccentric Cone

Height=2'-8"

Lifting Hooks

2'-8"

Riser Section

Standard Height:
1'-4" Multiples

Lifting Hooks

1'-4"
to
6'-0"

**Base Riser
w/Integral Base Slab**

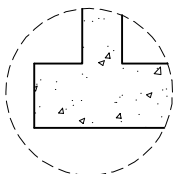
Field Cast Invert

Lifting Hooks

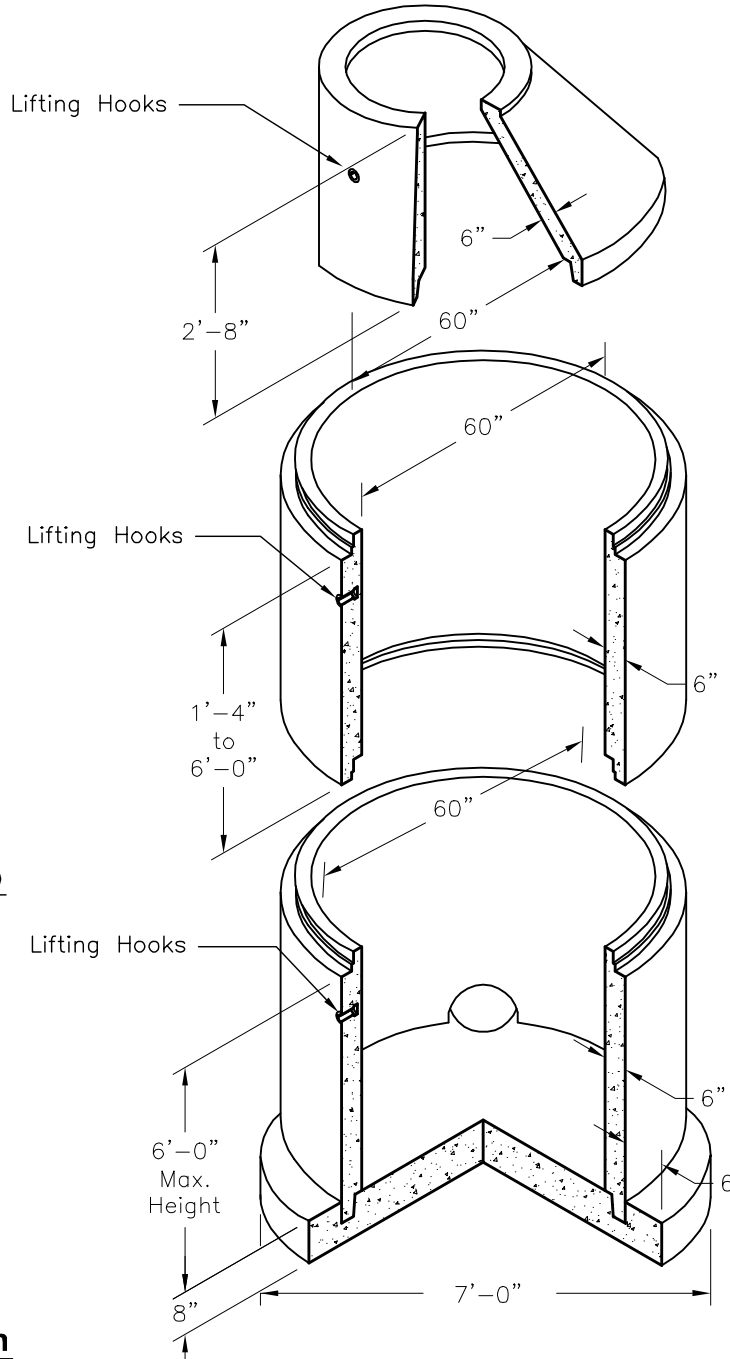
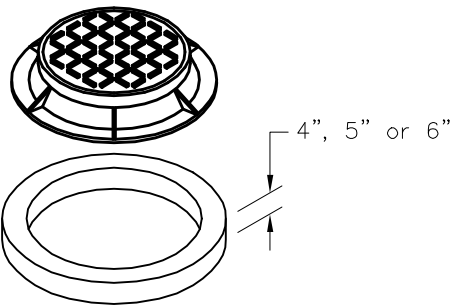
6'-0"
Max.
Height

8"

7'-0"



**Alternate Design
Manufactures Option**



**Oldcastle Precast®
Vanguard**

5230 N.W. 17th Street, Topeka, KS 66618
Phone: 785.232.2982 Fax: 785.232.5842

60MHEC32

FILE NAME: 120DMM60MHEC32_ISO

ISSUE DATE: January 2007

www.vanguardprecast.com

**Standard 60" ID Manhole
2'-8" Eccentric Cone**

Copyright © 2007 Oldcastle Precast