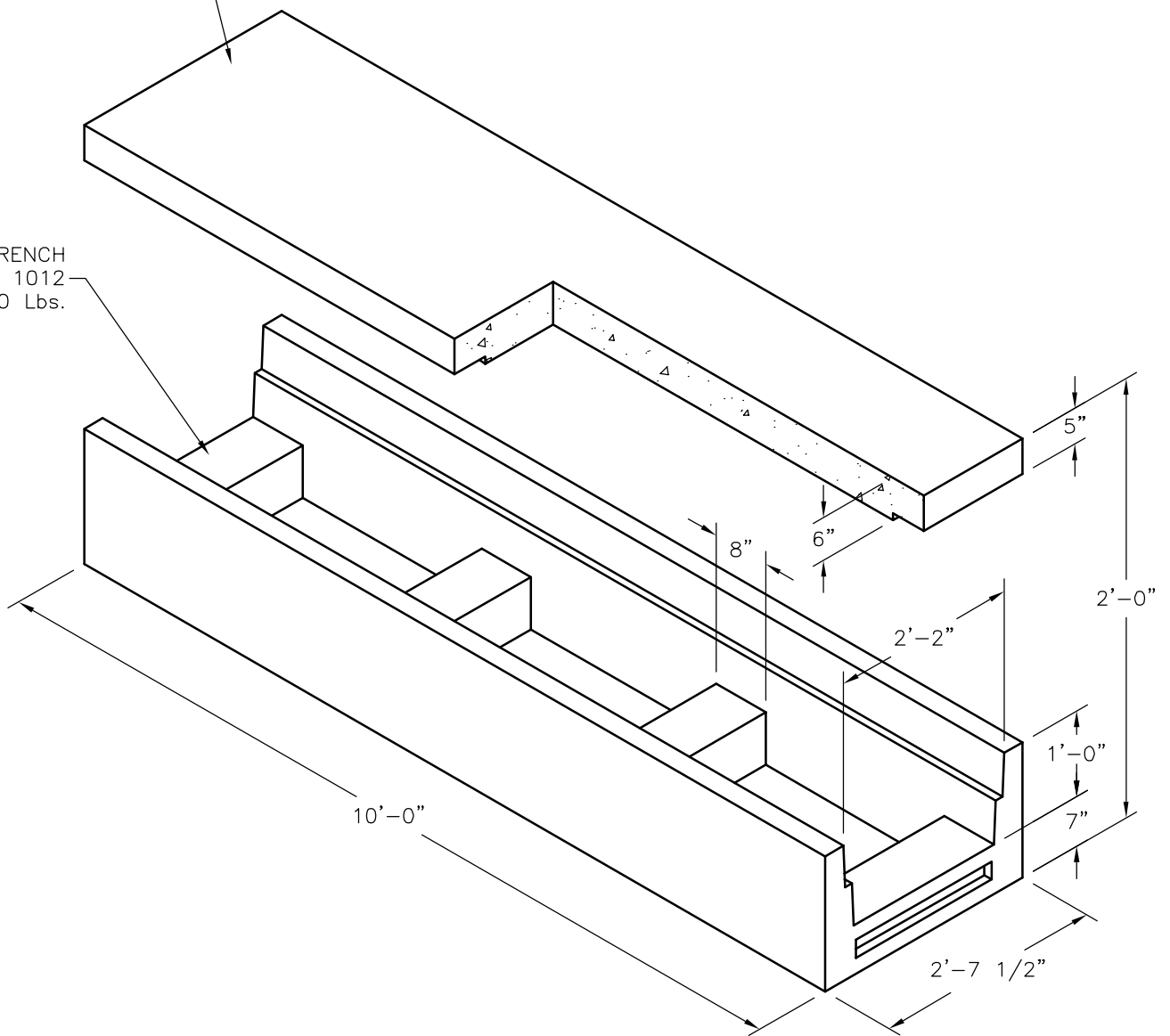


2'-8" x 10'-0" Cover
1,540 Lbs.

TRENCH
NO. 1012
2,250 Lbs.



SCALE: 1/2" = 1'-0"



Oldcastle Precast[®]
Utility Vault

411 E. Frye Rd., Chandler, Arizona 85225
Tel: (480) 963-2678 Fax: (480) 899-1937

1012 TRENCH

FILE NAME: 040UTC1012TI.DWG

ISSUE DATE: JANUARY, 2008

www.oldcastleprecast.com

**2'-2" x 9'-11 3/4" x 1'-0" ID
TRENCH
STANDARD LAYOUT**

Copyright © 2008 Oldcastle Precast, Inc.