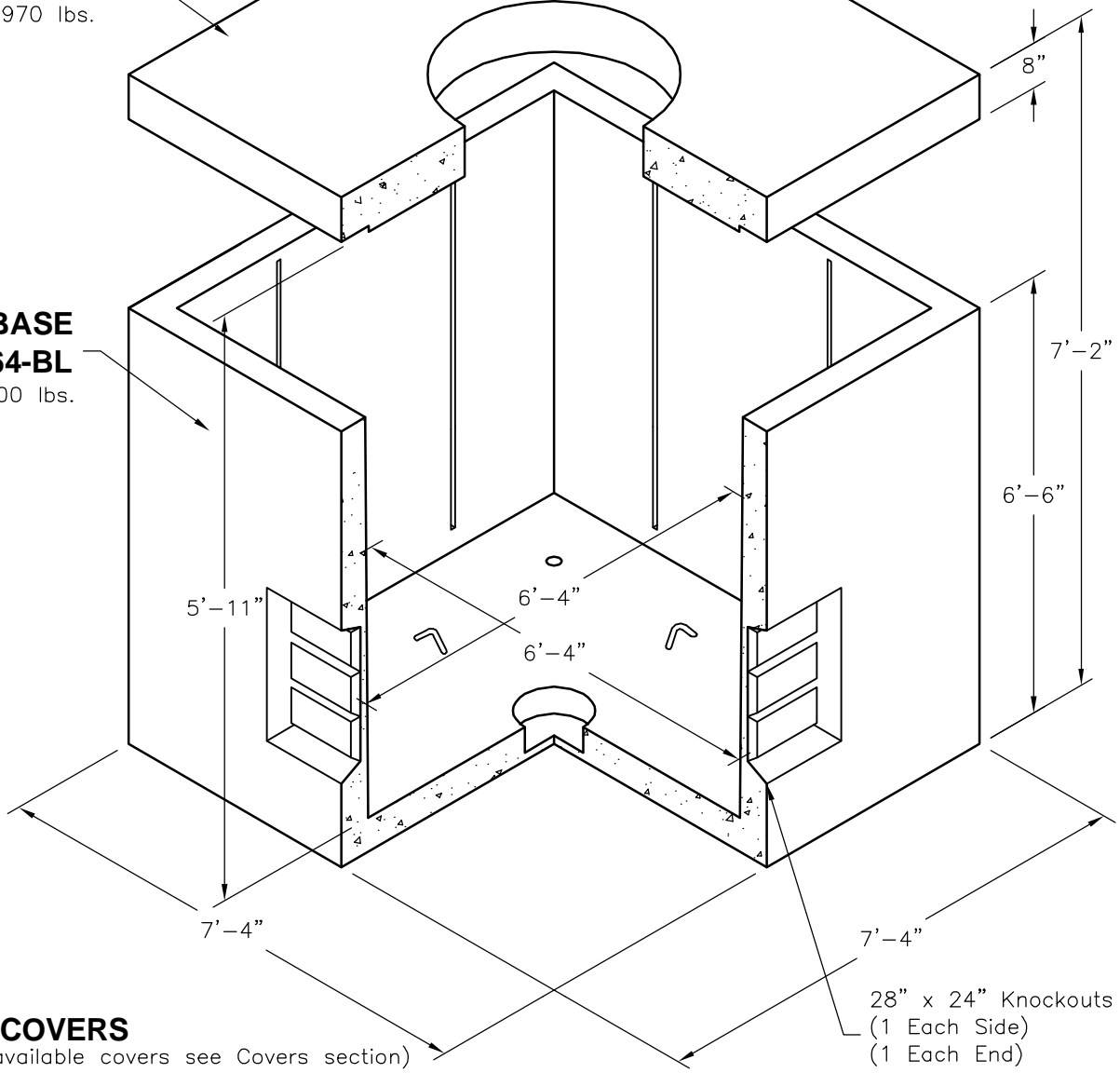


**COVER
NO. 6464-S-37C**

Concrete With Hole
4,970 lbs.

**BASE
NO. 6464-BL**

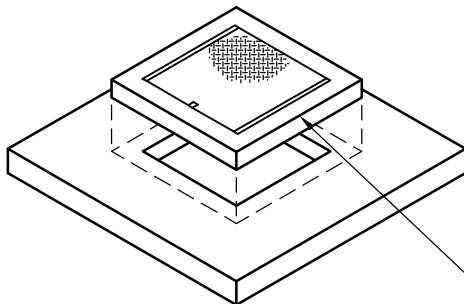
15,000 lbs.



28" x 24" Knockouts
(1 Each Side)
(1 Each End)

OPTIONAL COVERS

(For other available covers see Covers section)



Locking Steel Cover
No. 44-332P
835 lbs.

SCALE: 3/8" = 1'-0"



411 E. Frye Rd., Chandler, Arizona 85225
Tel: (480) 963-2678 Fax: (480) 899-1937

6464-LA-S

FILE NAME: 040UEE6464LASI.DWG

ISSUE DATE: JANUARY, 2008

www.oldcastleprecast.com

**6'-4" x 6'-4" x 5'-11" ID
ELECTRICAL VAULT
STANDARD LAYOUT**

Copyright © 2008 Oldcastle Precast, Inc.