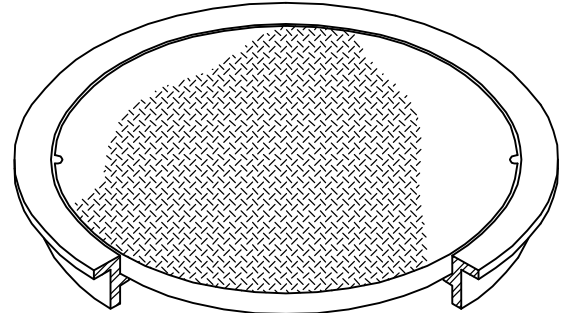


**24" x 6" or 30" x 6" WATER-TIGHT**

BOLT-DOWN, GASKET SEALED, WATER-TIGHT

WT. (24" x 6") 405 lbs.

WT. (30" x 6") 430 lbs.

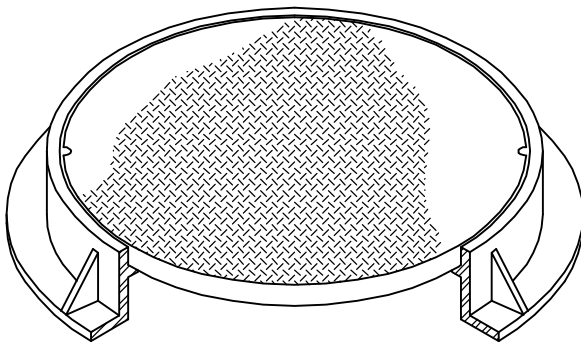


**32" x 4" FLANGE UP**

SOLID LID SHOWN - GRATED LID AVAILABLE

WT. (Solid) 365 lbs.

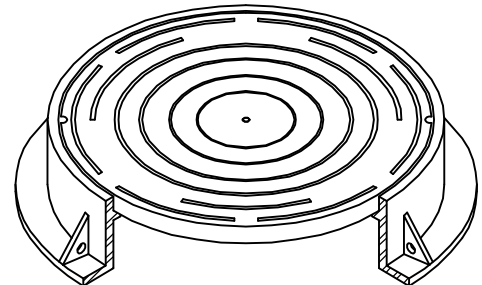
WT. (Grate) 305 lbs.



**30" x 6"**

29 7/8" CLEAR OPENING

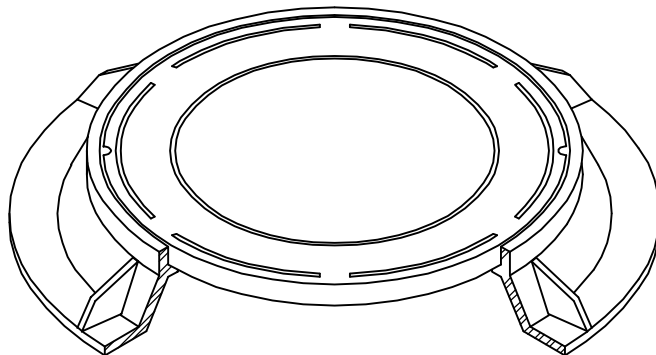
WT. 430 lbs.



**24" x 6"**

24" CLEAR OPENING

WT. 405 lbs.



**30" x 6"**

30" CLEAR OPENING - WIDE FLANGE

WT. 525 lbs.

SCALE: 1"=1'-0"



411 E. Frye Rd., Chandler, Arizona 85225  
Tel: (480) 963-2678 Fax: (480) 899-1937

**FRAMES & COVERS**

FILE NAME:040UAHCASTIRONI.DWG

ISSUE DATE: JUNE, 2001

[www.oldcastleprecast.com](http://www.oldcastleprecast.com)

**CAST IRON MANHOLE  
FRAMES & COVERS  
STANDARD LAYOUT**

Copyright © 2008 Oldcastle Precast, Inc.