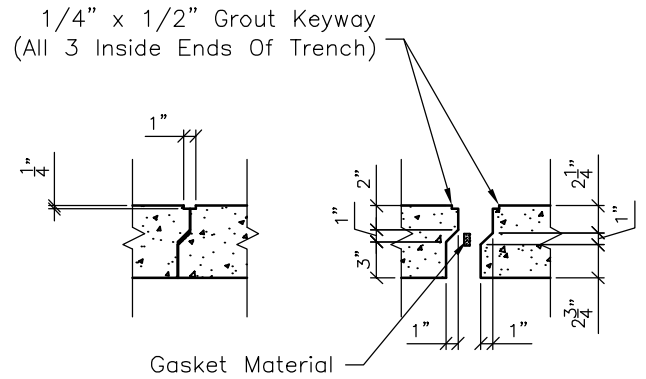
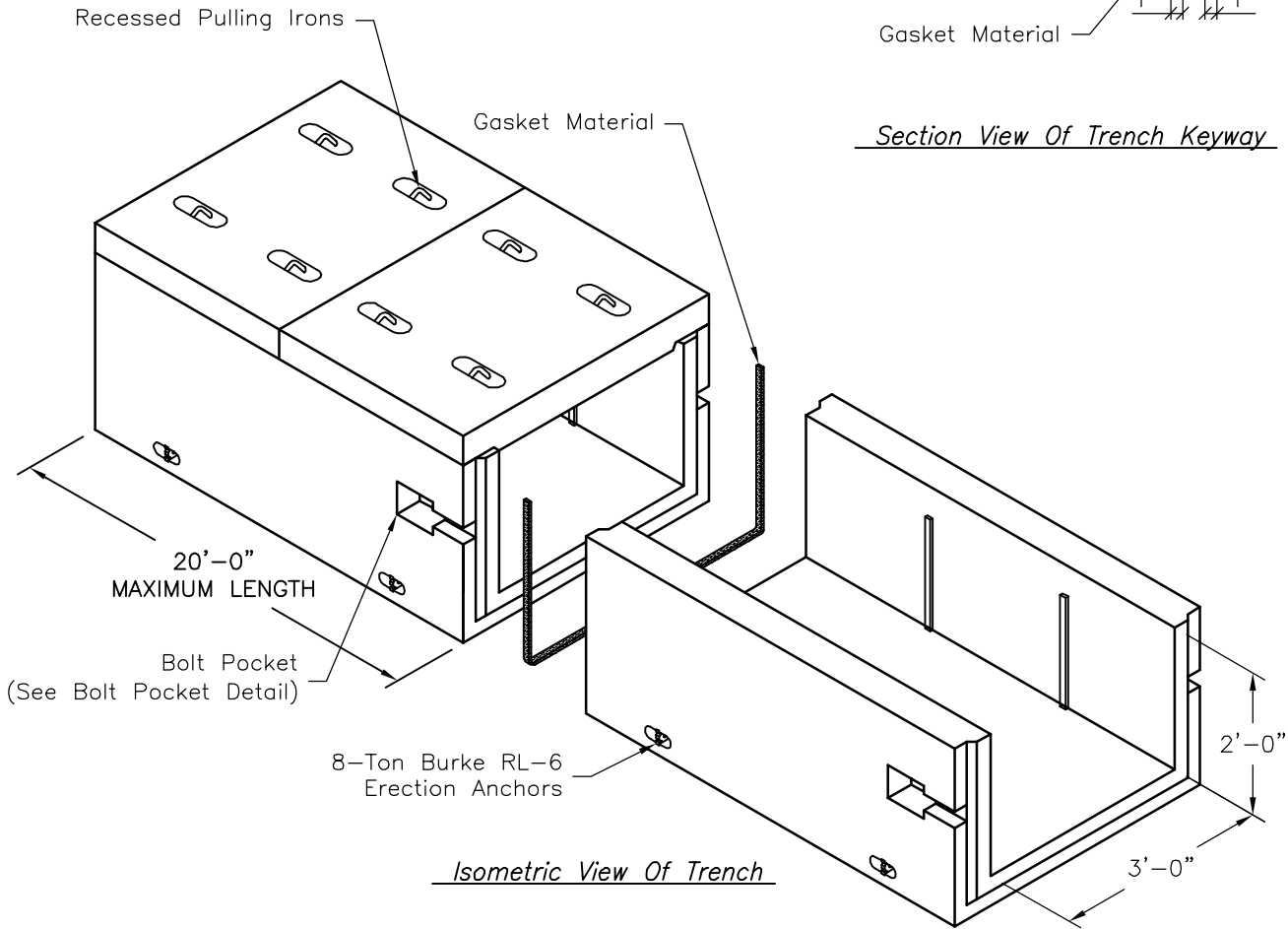


Bolt Pocket Detail



Section View Of Trench Keyway



Isometric View Of Trench

SCALE: 3/8" = 1'-0"



411 E. Frye Rd., Chandler, Arizona 85225
Tel: (480) 963-2678 Fax: (480) 899-1937

2' x 3' TRENCH

FILE NAME: 040UTC2436TI.DWG

ISSUE DATE: AUGUST, 2005

www.oldcastleprecast.com

**2'-0" x 3'-0" x 20'-0" ID
TRENCH AND COVER
STANDARD LAYOUT**

Copyright © 2008 Oldcastle Precast, Inc.