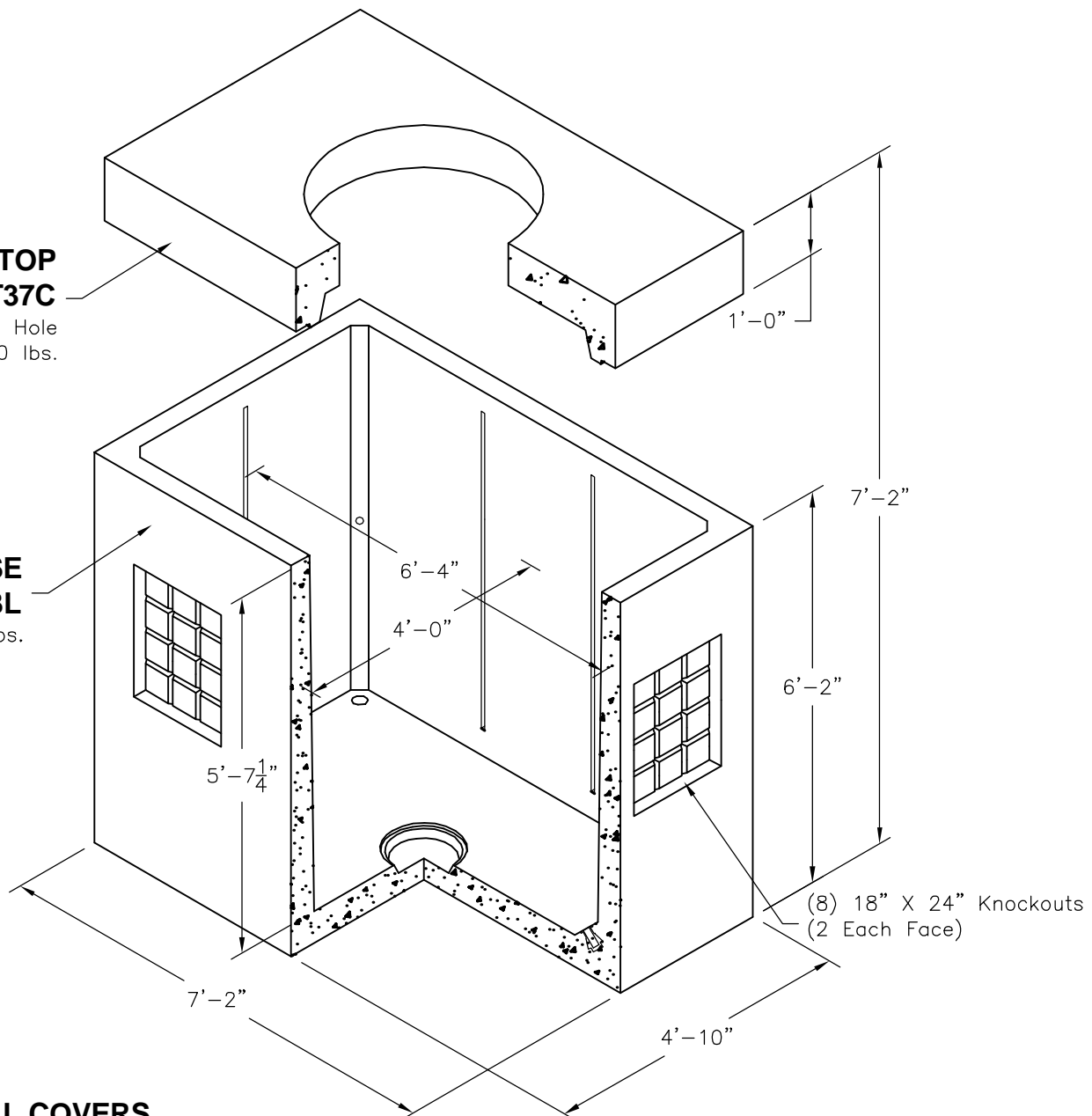
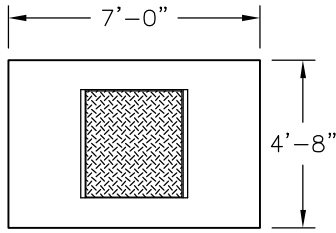


**TOP**  
**NO. 57-T37C**  
 Concrete With Hole  
 3,350 lbs.

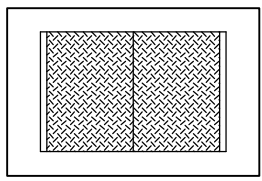
**BASE**  
**NO. 577-BL**  
 9,200 lbs.



**OPTIONAL COVERS**  
 (For other available covers see Covers section)



Locking Steel Cover  
 No. 57-T332P  
 3,485 lbs.



Locking Steel Cover  
 No. 57-T3660  
 2,500 lbs.

SCALE: 3/8" = 1'-0"

**Oldcastle Precast**<sup>®</sup>  
 Utility Vault

411 E. Frye Rd., Chandler, Arizona 85225  
 Tel: (480) 963-2678 Fax: (480) 899-1937

<b>577-LA</b>
FILE NAME: 040UEE577LAI.DWG
ISSUE DATE: JUNE, 2001
<b>www.oldcastleprecast.com</b>

**6'-4" x 4'-0" x 5'-7 1/4" ID**  
**ELECTRICAL VAULT**  
**STANDARD LAYOUT**

Copyright © 2008 Oldcastle Precast, Inc.