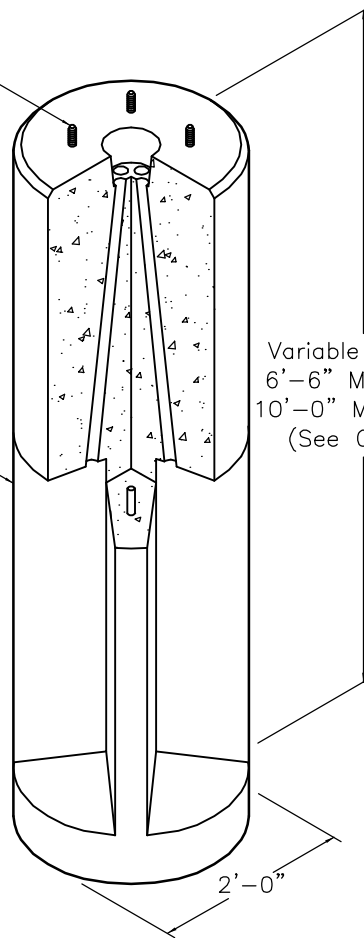


Anchor Bolt
 Size and Spacing as Required
 Customer to Supply
 (4 Places in Top)
 Minimum Bolt Circle = 8" Dia.
 Maximum Bolt Circle = 18" Dia.

LAMP POLE FOOTING
 No. 24R-LB



Variable Height
 6'-6" Minimum
 10'-0" Maximum
 (See Chart)

Note:
 Customer is responsible for setting lamp pole footing.

VARIABLE HEIGHT CHART		
Catalog No.	Height	Weight
24R-6-LB	6'-6"	2,170 lbs.
24R-7-LB	7'-0"	2,400 lbs.
24R-8-LB	8'-0"	2,870 lbs.
24R-9-LB	9'-0"	3,340 lbs.
24R-10-LB	10'-0"	3,810 lbs.

SCALE: 1/2" = 1'-0"



411 E. Frye Rd., Chandler, Arizona 85225
 Tel: (480) 963-2678 Fax: (480) 899-1937

24R-LB

FILE NAME: 040UEF24RLB1.DWG

ISSUE DATE: DEC, 2002

www.oldcastleprecast.com

**24R-LB
 PRECAST FOOTING
 FOR LAMP POLE**

Copyright © 2008 Oldcastle Precast, Inc.