

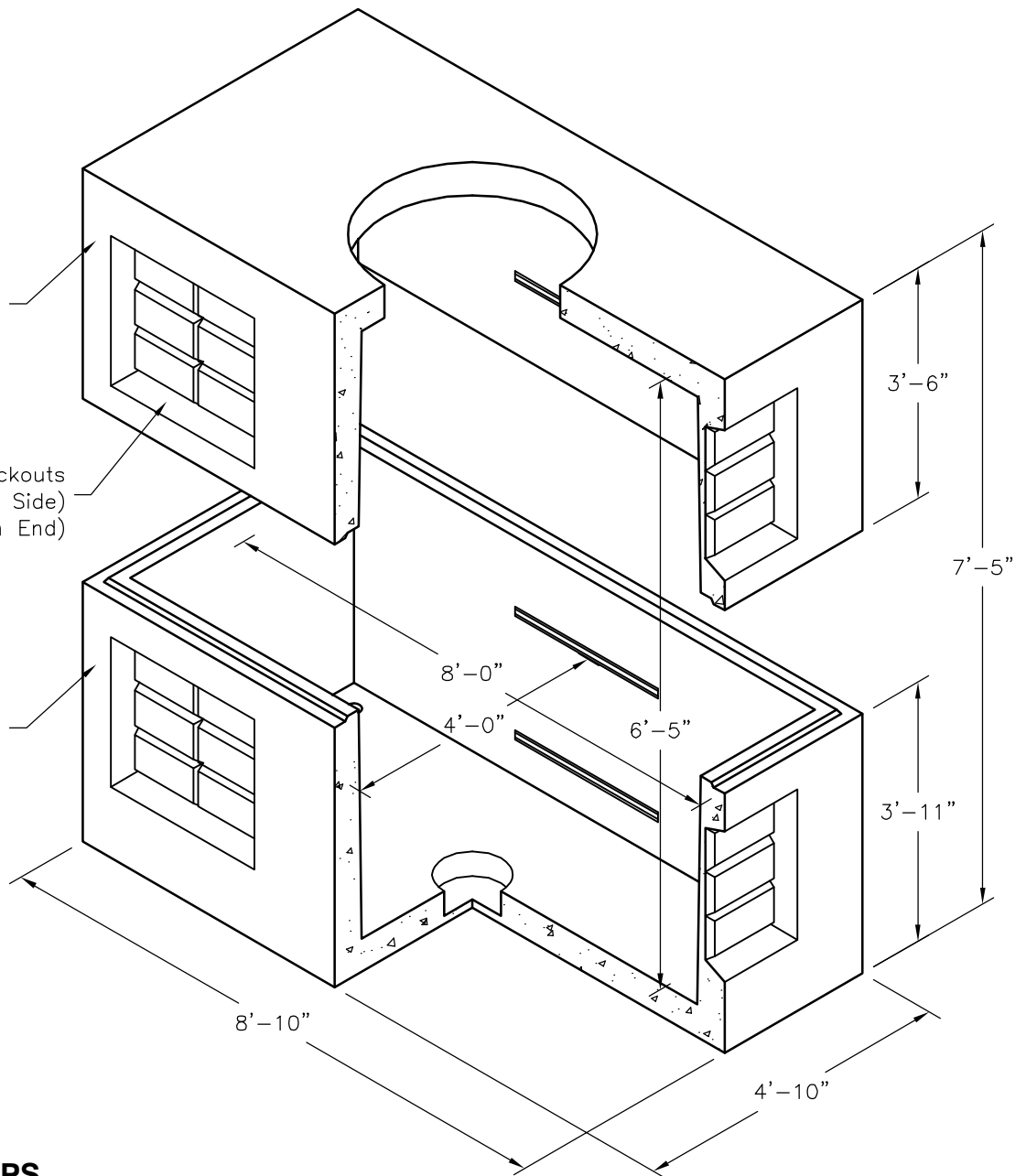
**TOP**  
**NO. 4866-T37C**

Concrete With Hole  
7,920 lbs.

28" x 24" Knockouts  
(4 Each Side)  
(2 Each End)

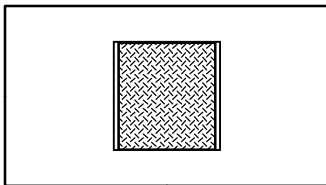
**BASE**  
**NO. 4866-BL**

9,050 lbs.

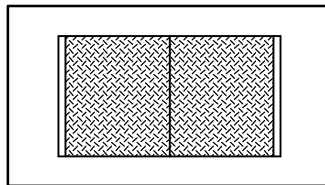


**OPTIONAL TOPS**

(For available covers see Covers Section)



Locking Steel Cover  
No. 4866-T332P  
8,055 lbs.



Locking Steel Cover  
No. 4866-T3672  
7,590 lbs.

SCALE: 3/8" = 1'-0"



**Oldcastle Precast**<sup>®</sup>  
Utility Vault

411 E. Frye Rd., Chandler, Arizona 85225  
Tel: (480) 963-2678 Fax: (480) 899-1937

**4866-LA**

FILE NAME: 040UEE4866LAI.DWG

ISSUE DATE: JUNE, 2001

[www.oldcastleprecast.com](http://www.oldcastleprecast.com)

**8'-0" X 4'-0" X 6'-5" ID  
ELECTRICAL VAULT  
STANDARD LAYOUT**

Copyright © 2008 Oldcastle Precast, Inc.