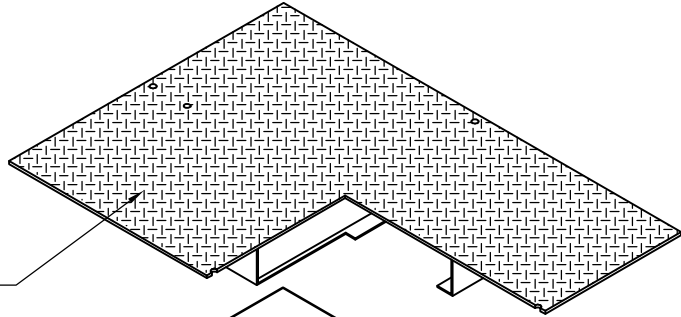


**COVER  
NO. 2436**

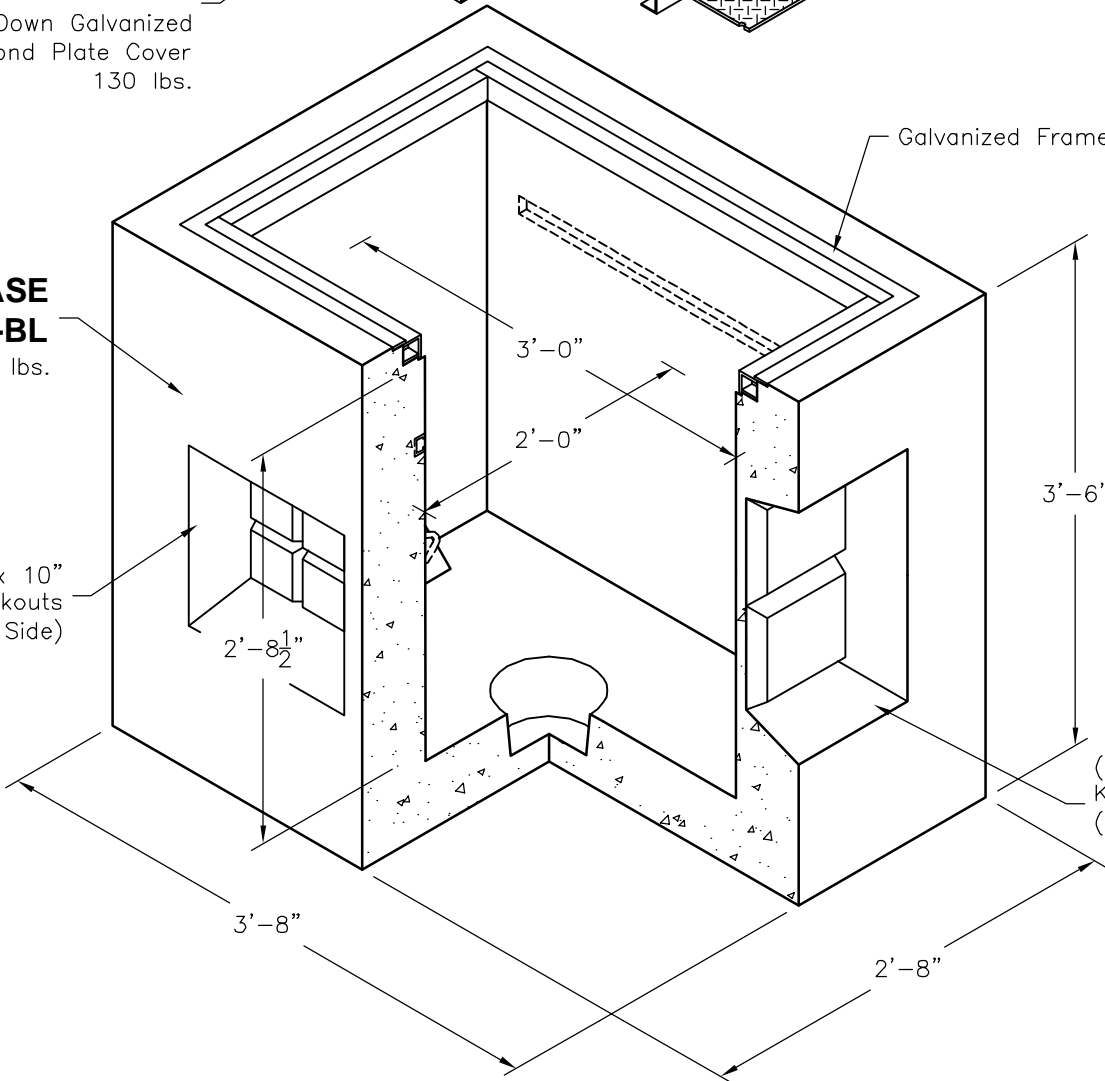
Bolt Down Galvanized  
Diamond Plate Cover  
130 lbs.



Galvanized Frame

**BASE  
NO. 233-BL**

2500 lbs.



(2) 16" x 16"  
Knockouts  
(1 Each End)

(4) 10" x 10"  
Knockouts  
(2 Each Side)

SCALE: 3/4" = 1'-0"



**Oldcastle Precast**<sup>®</sup>  
Utility Vault

411 E. Frye Rd., Chandler, Arizona 85225  
Tel: (480) 963-2678 Fax: (480) 899-1937

**233-LA**

FILE NAME: 040UEE233LAI.DWG

ISSUE DATE: JUNE, 2001

[www.oldcastleprecast.com](http://www.oldcastleprecast.com)

**3'-0" x 2'-0" x 1'-4" ID  
ELECTRICAL VAULT  
STANDARD LAYOUT**

Copyright © 2008 Oldcastle Precast, Inc.