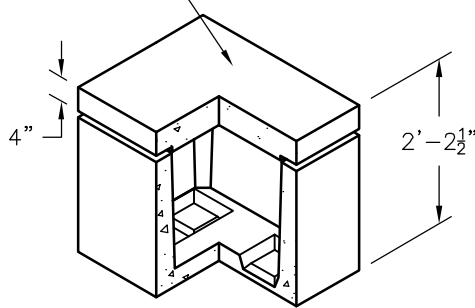


**OPTIONAL COVER  
NO. 1824-S**  
Solid Concrete  
250 lbs.



SCALE: 1"=1'-0"



411 E. Frye Rd., Chandler, Arizona 85225  
Tel: (480) 963-2678 Fax: (480) 899-1937

<b>1824-LA</b>
FILE NAME: 040UEE1824LAI.DWG
ISSUE DATE: JUNE, 2001
<b>www.oldcastleprecast.com</b>

**1'-10" x 1'-5" x 1'-4" ID  
ELECTRICAL VAULT  
STANDARD LAYOUT**

Copyright © 2008 Oldcastle Precast, Inc.