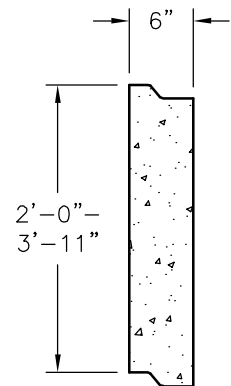
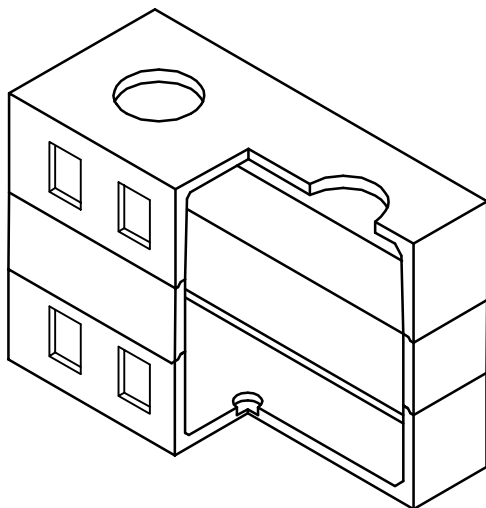
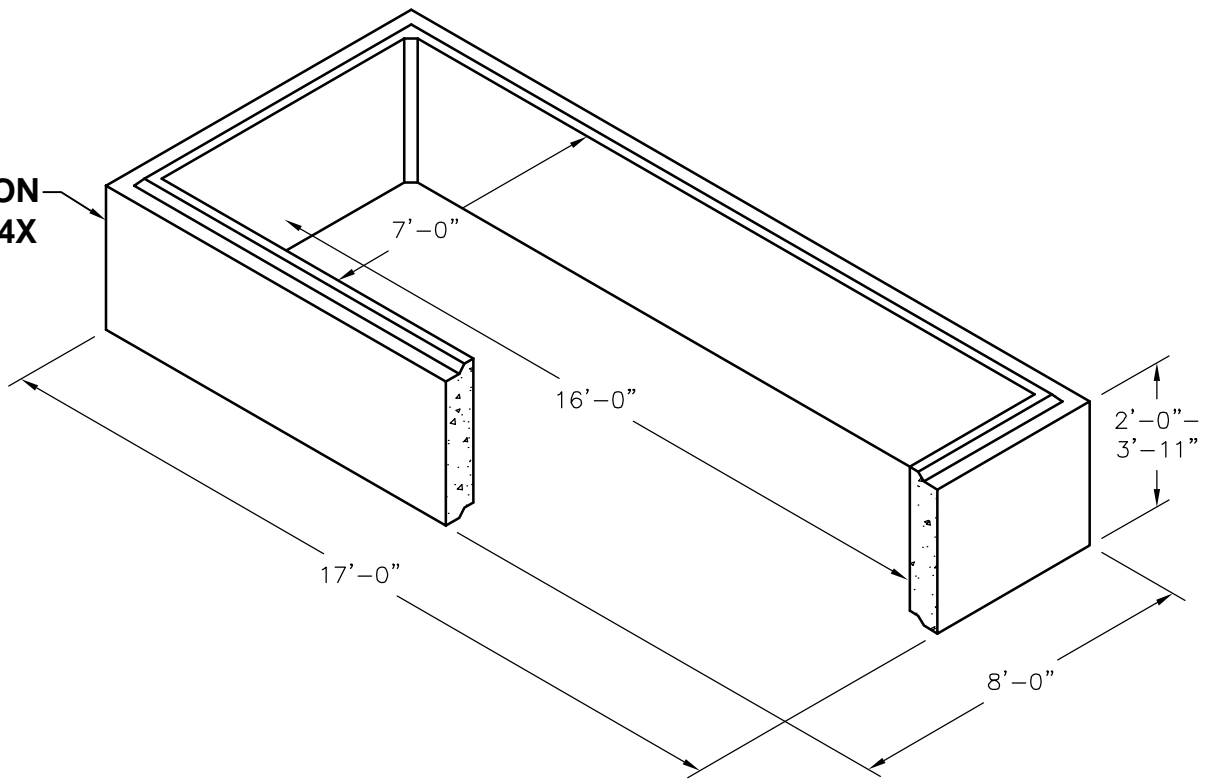


**EXTENSION
NO. 716-4X**



SECTION

SCALE: 1/4" = 1'-0"



411 E. Frye Rd., Chandler, Arizona 85225
Tel: (480) 963-2678 Fax: (480) 899-1937

716 EXTENSION

FILE NAME: 040UEE716EXI.DWG

ISSUE DATE: AUGUST, 2005

www.oldcastleprecast.com

**3'-0" EXTENSION
EXTENSION
STANDARD LAYOUT**

Copyright © 2008 Oldcastle Precast, Inc.