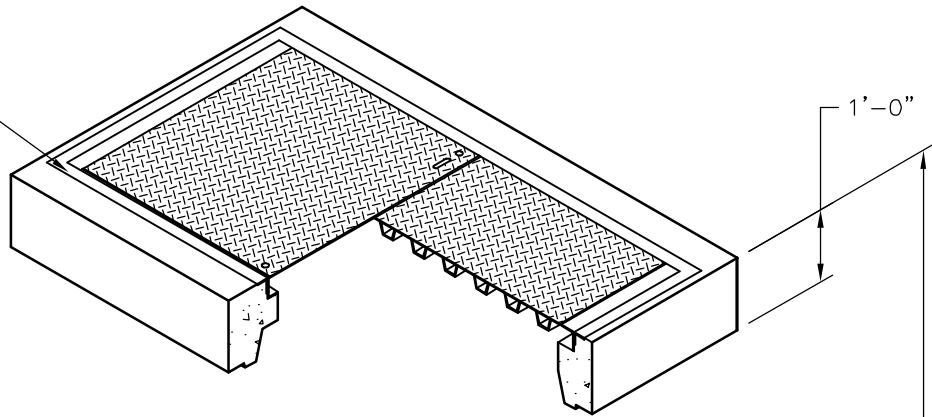


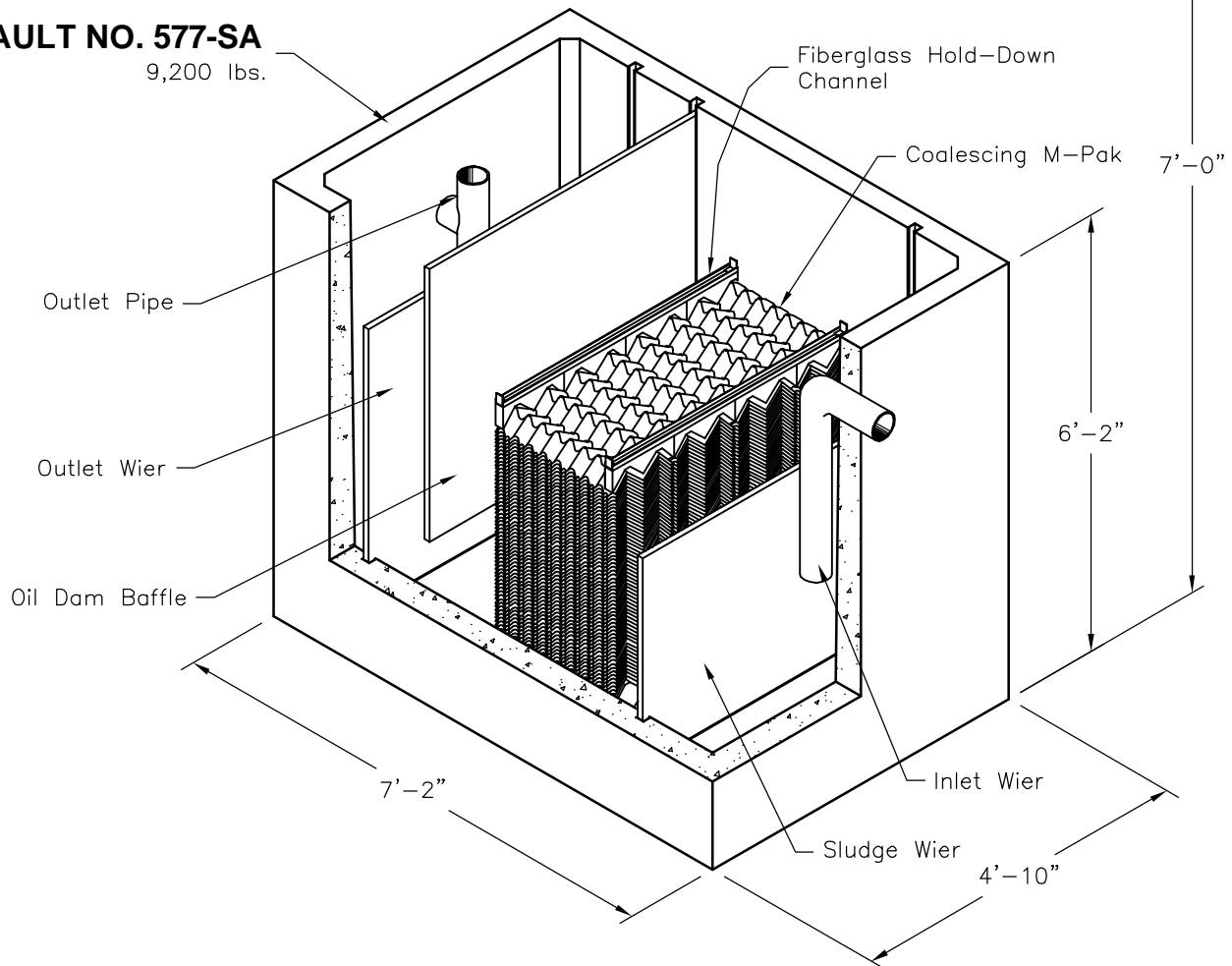
TOP NO. 57-3672

3,350 lbs.



VAULT NO. 577-SA

9,200 lbs.



NOTES:

- 1. 900 Gallon capacity
- 2. Contractor to supply all piping.
- 3. Contractor to verify size and location of inlet and outlet holes.

SCALE: 3/8"=1'-0"



Oldcastle Precast®
Utility Vault

411 E. Frye Rd., Chandler, Arizona 85225
Tel: (480) 963-2678 Fax: (480) 899-1937

577-CPS

FILE NAME: 040ECO577CPSI.DWG

ISSUE DATE: AUGUST, 2005

www.oldcastleprecast.com

**4'-0" x 6'-4" x 5'-8" ID
OIL / WATER SEPARATOR
STANDARD LAYOUT**

Copyright © 2008 Oldcastle Precast, Inc.