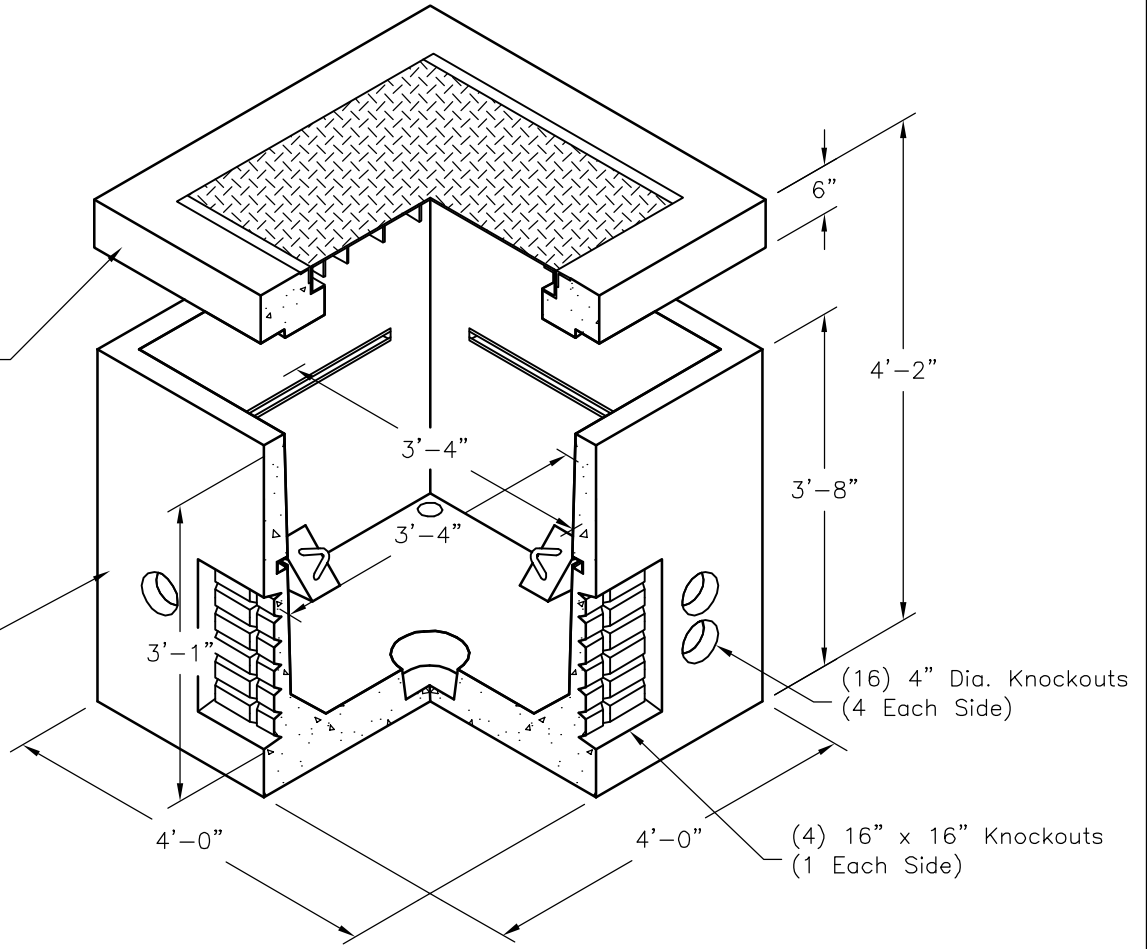


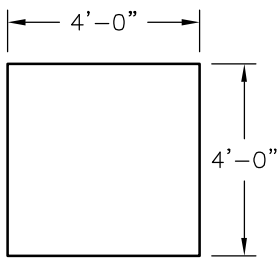
**COVER
NO. 44-332P**
Locking Steel Cover
835 lbs.

**BASE
NO. 444-BL**
3,200 lbs.

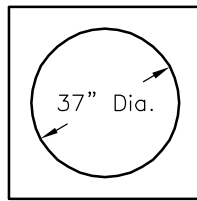


OPTIONAL COVERS

(For Other Available Covers See Covers Section)



**SOLID CONCRETE
NO. 44-S**
1,350 lbs.



**CONCRETE W / HOLE
NO. 44-37C**
700 lbs.

SCALE: 1/2" = 1'-0"



411 E. Frye Rd., Chandler, Arizona 85225
Tel: (480) 963-2678 Fax: (480) 899-1937

444-LA

FILE NAME: 040UEE444LAI.DWG

ISSUE DATE: JUNE, 2001

www.oldcastleprecast.com

**3'-4" x 3'-4" x 3'-1" ID
ELECTRICAL VAULT
STANDARD LAYOUT**

Copyright © 2008 Oldcastle Precast, Inc.