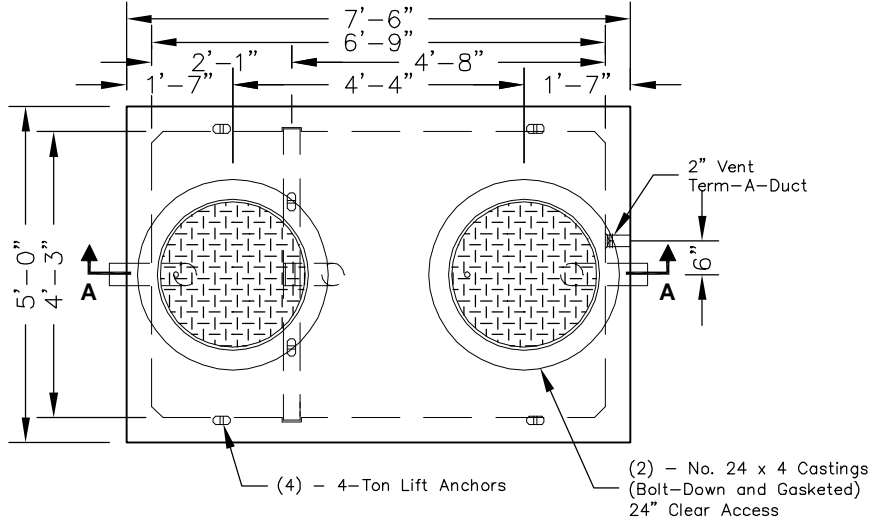


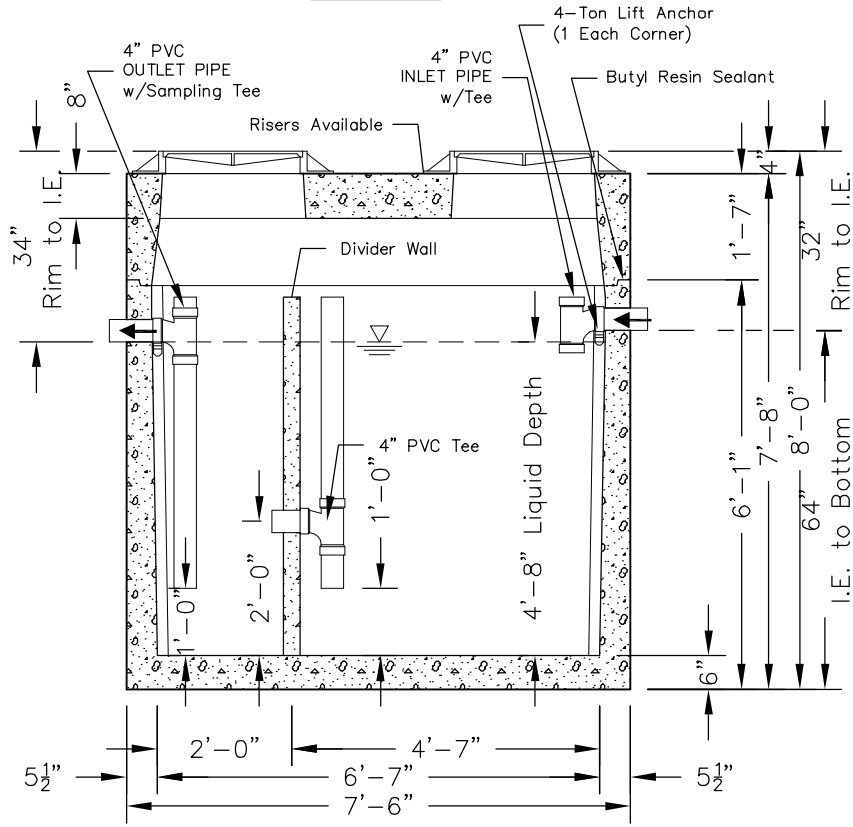
**Oldcastle Precast®**

**GREASE INTERCEPTOR**

# 576-GA




**PLAN VIEW**



**SECTION AA**

- Notes:
1. Divider Wall to be Precast Concrete
  2. Contractor to:  
Fill with Clean Water After Backfilling is Complete and Prior to "Start-Up" of System.

Scale: 3/8" = 1'-0"

 <p><b>Oldcastle Precast®</b> Utility Vault</p> <p>PO Box 323, Wilsonville, Oregon 97070-0323 Tel: (503) 682-2844 Fax: (503) 682-2657</p>	<p><b>576-GA</b></p>	<p><b>576-GA</b> <b>GREASE INTERCEPTOR</b> <b>1000 GALLON</b></p>
	<p>File Name: 020ECG576GA2</p>	
	<p>Issue Date: 2008</p>	
	<p><a href="http://www.uvwilsonville.com">www.uvwilsonville.com</a></p>	