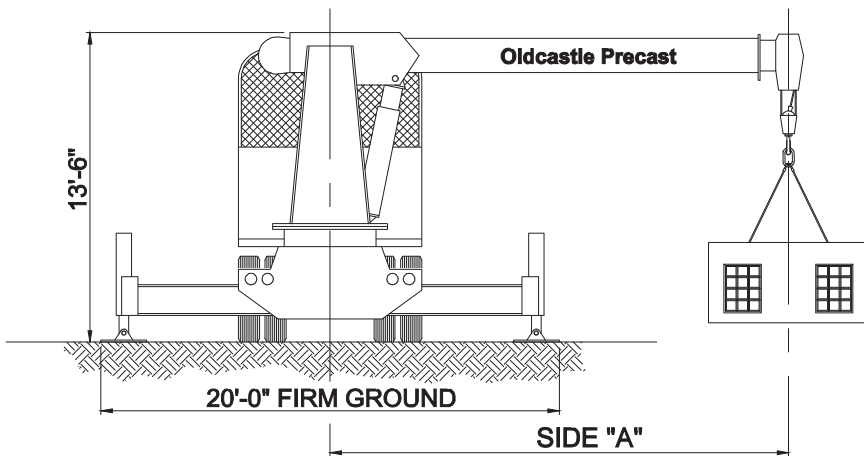
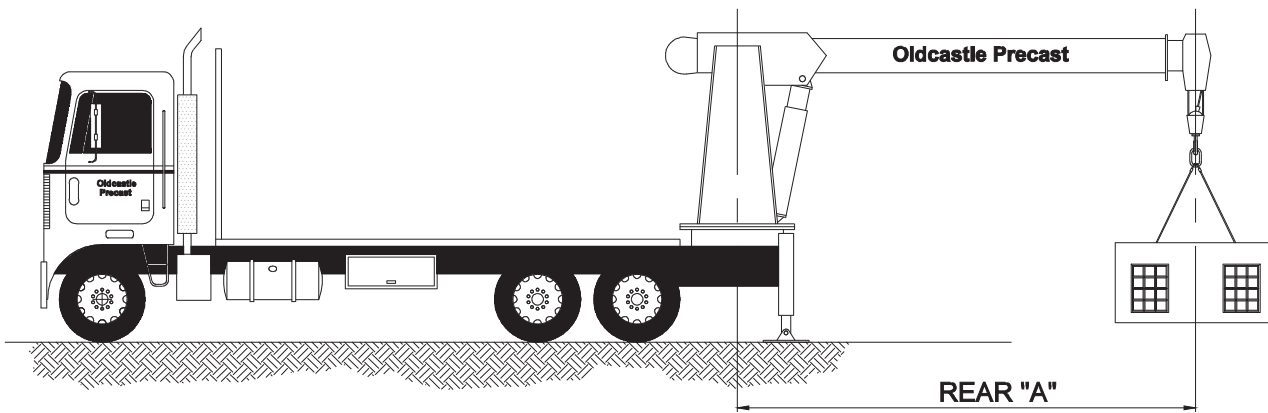


TRUCK / TRAILER AND CRANE SETTING LIMITATIONS

- COMPANY CRANE TRUCK AND TRAILER CAN CARRY A MAXIMUM NET LOAD OF 36,600 LBS.
- SEMI TRUCK AND TRAILER WITHOUT A CRANE CAN CARRY A MAXIMUM NET LOAD OF 48,000 LBS.
- CRANE CAPACITIES AND LIMITATIONS ARE AS SHOWN IN TABLE AND ILLUSTRATIONS BELOW.
- FOR SETTING VAULTS, CLEAR ACCESS TO THE JOB SITE, A SUITABLE SURFACE AREA, AND A STABLE FOUNDATION ADJACENT TO THE EXCAVATION ARE REQUIRED.
- COMPANY EQUIPMENT CANNOT BE PUSHED OR PULLED INTO THE JOB SITE.



CRANE CAPACITY

Dim. "A"	SIDE	REAR
5'-0"	25,000 lbs.	25,000 lbs.
10'-0"	25,000 lbs.	25,000 lbs.
15'-0"	15,000 lbs.	19,000 lbs.
20'-0"	9,000 lbs.	14,000 lbs.
25'-0"	5,000 lbs.	13,000 lbs.



SETTING LIMITATIONS		CRANE / TRUCK SETTING LIMITATIONS
FILE NAME: 250UCPCRANECAP		
ISSUE DATE: MARCH, 2006		
www.oldcastleprecast.com		COPYRIGHT © 2006