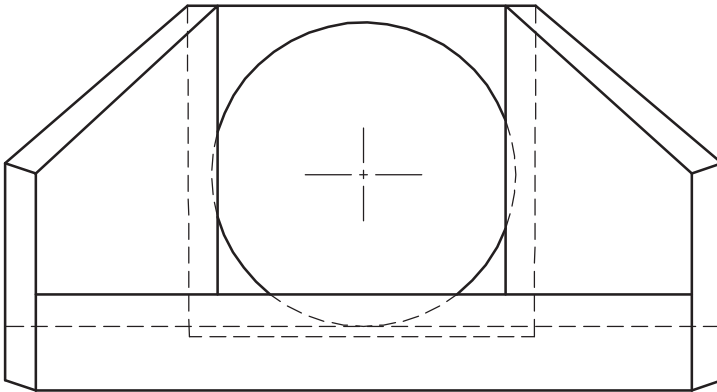
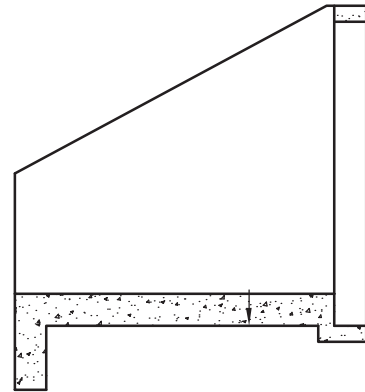


PLAN VIEW



FRONT VIEW



SECTION "A-A"