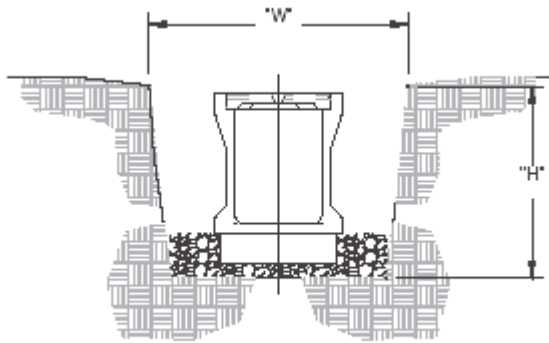


TRENCH INSTALLATION PROCEDURE

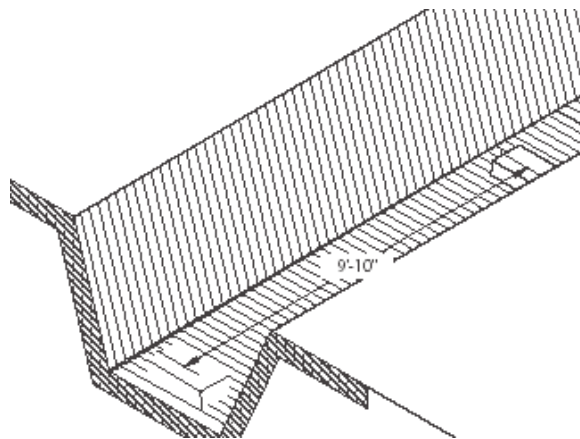
- ❖ Open the trench with back hoe as per size for specific Trench Model.



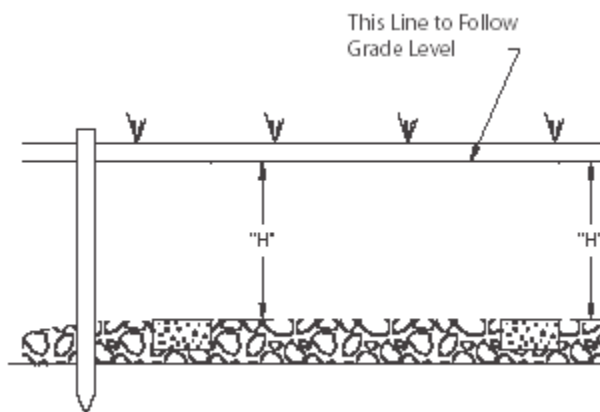
EXCAVATION SIZE CHART

MODEL	WIDTH	HEIGHT
68	36"	18"
128	45"	18"
1216	45"	27"
2012	50"	24"
2016	50"	27"
3012	60"	24"
3016	60"	27"

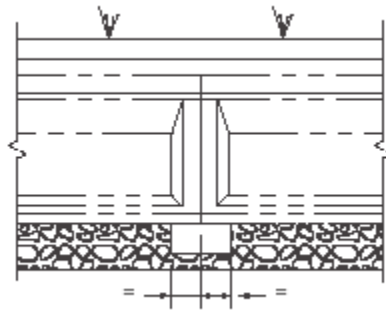
- ❖ Install a layer of firm compacted stone 6" thick, to bring the side walls of the channel to stand 2" below the final finished grade level.
- ❖ Locate the leveling blocks every 9'-10" and every joint for any smaller pieces.



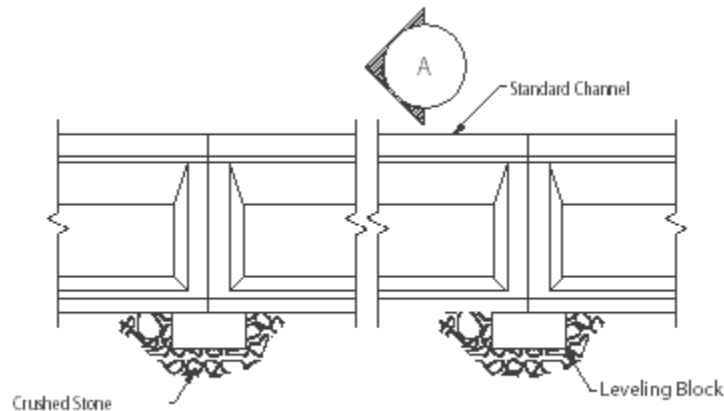
- ❖ Using a transit or cord line with line level, prepare a line grade to set the leveling blocks to height shown on chart.



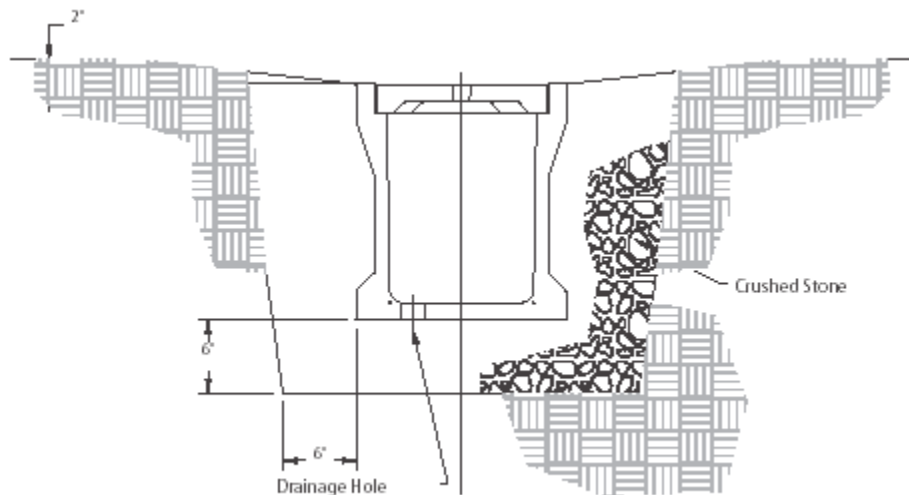
- ❖ Fill and compact top of leveling blocks with stone.
- ❖ Using mechanized equipment and a lifting harness or slings fitted with channel lifting devices (see accessories) inserted in drainage holes, set the channels in place.
- ❖ The channels are butt-joined to each other on the leveling blocks; each channel should be supported for 4" on the leveling blocks at joints.



- ❖ Back fill material is placed against the sides of the channels. Back filling is done simultaneously on both sides of the channel in successive layers of 8" and compacted. For back filling, granular stone is suggested.

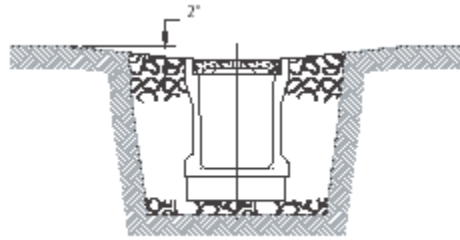


INSTALLATION DETAIL

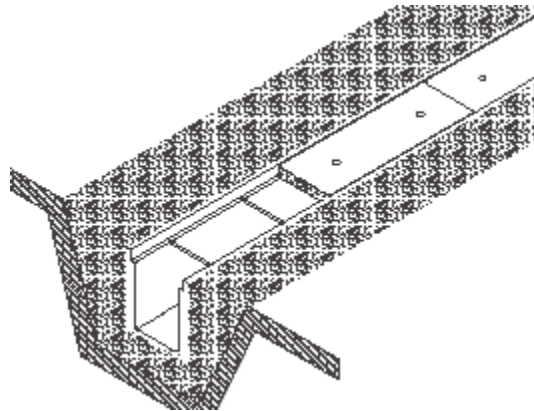


SECTION "A-A"

- ❖ Finish tamping the earth against the channel side walls and finish stone. Channel top set at 2" below final grade level.



- ❖ Install protection rods.
- ❖ Cover channels with HDPC covers (3 per full section of channel and 5 covers for model 3012) using cover lifting hooks, (2) provided.



Approved by :	Rev.: 000
Reason of revision : N/A	Date : May 19, 2005